

# **APPENDIX 3.0**

## **PROJECT DESCRIPTION**

## **Flying J Sign Program**

# Travel Plaza Sign Program



## CONTACTS AT PDG

### PURCHASING DEPT:

BRAD HOLGATE  
1104 Country Hills Dr.  
Ogden, UT 84403  
(801) 624-1295  
FAX (801) 624-1299

### SIGN DESIGNER:

DAVE HALL  
1104 Country Hills Dr.  
Ogden, UT 84403  
(801) 624-1284  
FAX (801) 624-1299



DATE: June 2004

JOB NO.

# 8126

Travel Plaza Sign Program

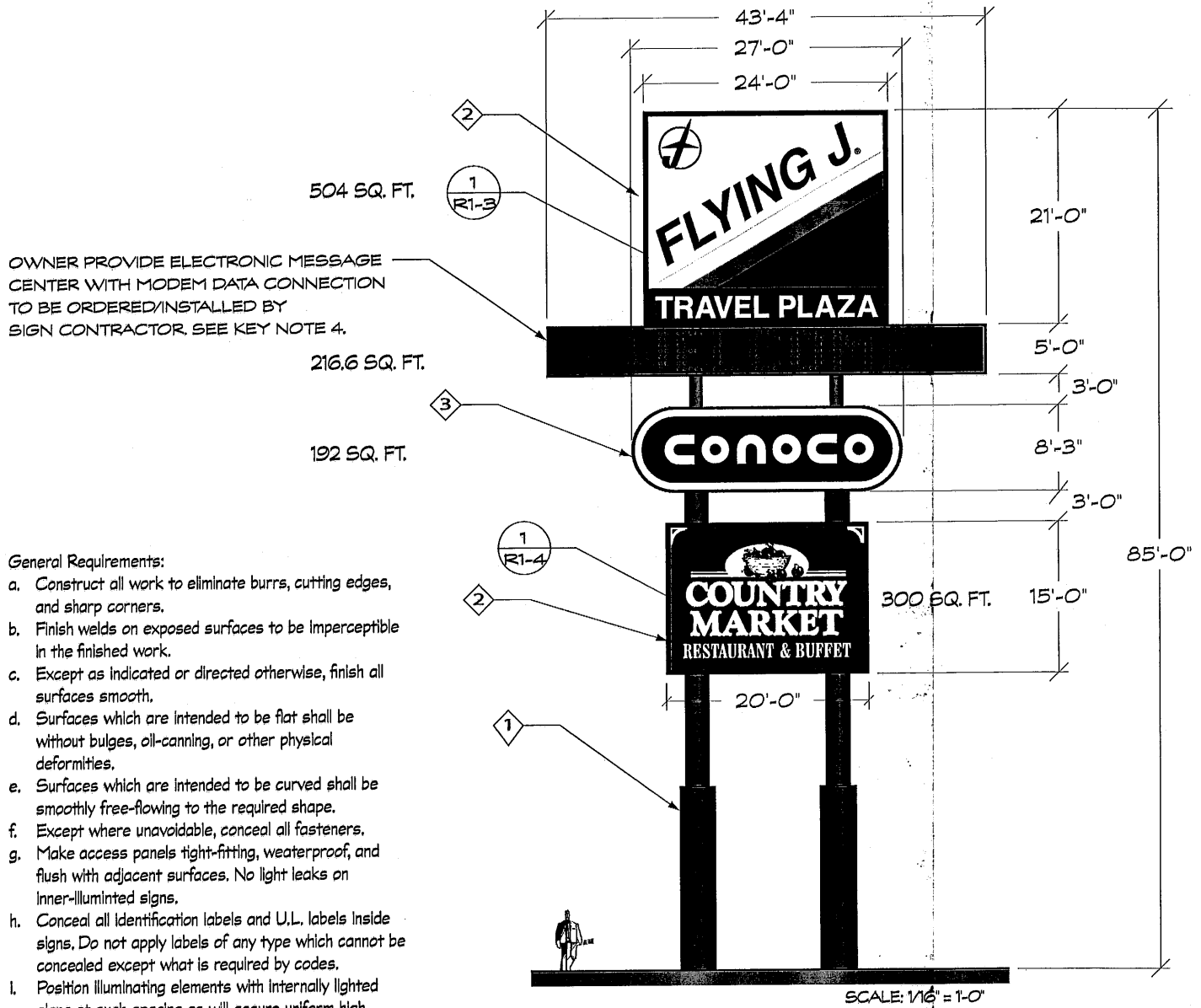
PROJECT TITLE:

Dixon, California

CONFIDENTIAL AND COPYRIGHT NOTICE  
UNAUTHORIZED USE, DISCLOSURE, OR COPYING OF THIS  
DRAWING IS PROHIBITED. DRAWINGS DISTRIBUTED FOR  
BIDDING PURPOSES SHALL BE RETURNED WITHIN 14 DAYS  
OF CONTRACT AWARD. DEPOSIT CHECKS WILL BE CASHED  
FOR ALL OUTSTANDING DRAWINGS.

**PDG** inc.  
DESIGN & DEVELOPMENT  
1104 COUNTRY HILLS DR.  
OGDEN, UTAH 84403





**General Requirements:**

- Construct all work to eliminate burrs, cutting edges, and sharp corners.
- Finish welds on exposed surfaces to be imperceptible in the finished work.
- Except as indicated or directed otherwise, finish all surfaces smooth.
- Surfaces which are intended to be flat shall be without bulges, oil-canning, or other physical deformities.
- Surfaces which are intended to be curved shall be smoothly free-flowing to the required shape.
- Except where unavoidable, conceal all fasteners.
- Make access panels tight-fitting, weaterproof, and flush with adjacent surfaces. No light leaks on inner-illuminated signs.
- Conceal all identification labels and U.L. labels inside signs. Do not apply labels of any type which cannot be concealed except what is required by codes.
- Position illuminating elements with internally lighted signs at such spacing as will assure uniform high distribution across the portion of the sign faces intended to be illuminated. Sign faces which exhibit "hot-spots" or streaks will be unacceptable.

**GENERAL NOTES**

- ALL DESIGNS USING THE 'FLYING J' LOGOTYPE REQUIRE THE REGISTERED TRADE MARK INSIGNIA AFTER THE 'J'
- THE FLYING J STRIPES CONSIST OF THREE DISTINCT STRIPES AGAINST A WHITE BACKGROUND. THE STRIPES ALWAYS APPEAR WITH THE CORPORATE NAME OR COMPANY LOGO. EACH STRIPE IS A SOLID COLOR, AT A 30° ANGLE AND THE STRIPE WIDTHS CAN NOT BE ADJUSTED OUTSIDE THE PROPORTIONS. SEE DRAWING NO. R1-25
- SIGN CONTRACTOR SHALL COORDINATE ALL SIGN ELECTRICAL REQUIREMENTS WITH ELECTRICAL ENGINEER AND PDG DESIGN & DEVELOPMENT. ALL FINAL ELECTRICAL CONNECTIONS WILL BE MADE BY THE GENERAL CONTRACTOR.

**KEY NOTES**

- PAINT SUPPORTS SATIN BLACK
- TWO SIDE FACE WITH PANAFLEX FLEXIBLE SUBSTRATE AND INTERNAL MERCURY VAPOR LIGHTING. SIGN TO INCLUDE TURTLE VENTS ON TOP OF CABINET AS REQUIRED.
- (2) SINGLE FACE CONOCO SIGNS PROVIDED BY OWNER. INSTALLED BY SIGN CONTRACTOR.
- ELECTRONIC MESSAGE CENTER TO BE ORDERED FROM "TRANS-LUX," CONTACT BRIAN BENSON (800) 543-7904.

DATE: JUNE 2004

DRAWING NO.

R1-2

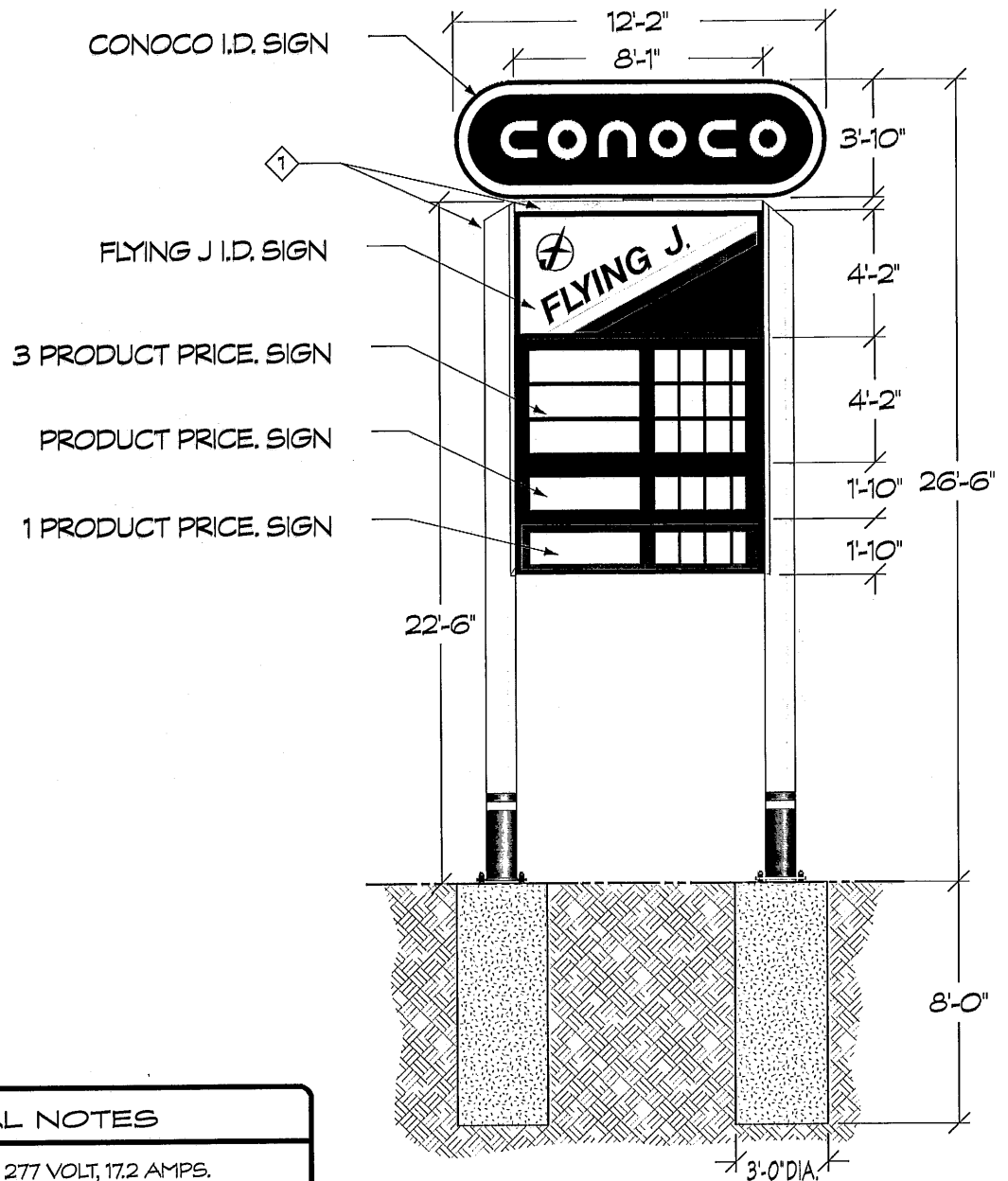
Travel Plaza Sign Program

PROJECT TITLE:

Dixon, California

CONFIDENTIAL AND COPYRIGHT NOTICE  
UNAUTHORIZED USE, DISCLOSURE, OR COPYING OF THIS DRAWING IS PROHIBITED. DRAWINGS DISTRIBUTED FOR BIDDING PURPOSES SHALL BE RETURNED WITHIN 14 DAYS OF CONTRACT AWARD. DEPOSIT CHECKS WILL BE CASHED FOR ALL OUTSTANDING DRAWINGS.

**PDG** Inc.  
DESIGN & DEVELOPMENT  
1104 COUNTRY HILLS DR.  
OGDEN, UTAH 84403



OWNER PROVIDE/CONTRACTOR INSTALLED FUEL PRICE SIGN

**ELECTRICAL NOTES**

1. EXTERIOR SIGNAGE TO BE 277 VOLT, 17.2 AMPS.
2. (2) 20 AMP CIRCUITS

**GENERAL NOTES**

1. ALL DESIGNS USING THE 'FLYING J' LOGOTYPE REQUIRE THE REGISTERED TRADE MARK INSIGNIA AFTER THE 'J'
2. THE FLYING J STRIPES CONSIST OF THREE DISTINCT STRIPES AGAINST A WHITE BACKGROUND. THE STRIPES ALWAYS APPEAR WITH THE CORPORATE NAME OR COMPANY LOGO. EACH STRIPE IS A SOLID COLOR, AT A 30° ANGLE AND THE STRIPE WIDTHS CAN NOT BE ADJUSTED OUTSIDE THE PROPORTIONS. SEE DRAWING NO. R1-25
3. SIGN CONTRACTOR SHALL COORDINATE ALL SIGN ELECTRICAL REQUIREMENTS WITH ELECTRICAL ENGINEER AND PDG DESIGN & DEVELOPMENT. ALL FINAL ELECTRICAL CONNECTIONS WILL BE MADE BY THE GENERAL CONTRACTOR.

**KEY NOTES**

1. SIGN CONTRACTOR TO PAINT COLUMNS AND CROSS TUBE FLYING J KHAKI TC-1050
2. ANCHOR BOLTS FOR COLUMNS PROVIDED BY OWNER. FOUNDATION CAISSONS PROVIDED AND INSTALLED BY SIGN CONTRACTOR. SEE DRW. R1-5 FOR FOUNDATION CAISSONS DETAIL.

DATE: JUNE 2004

DRAWING NO. R1-5

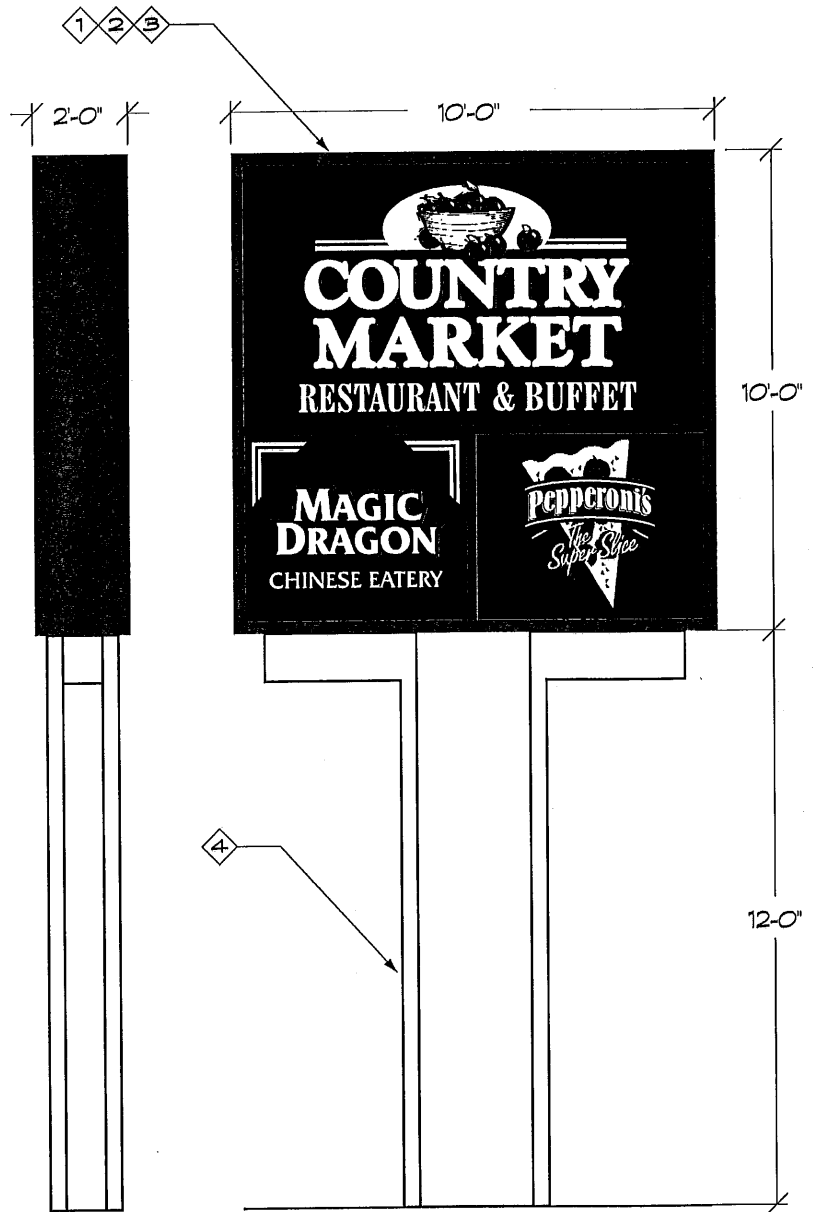
Travel Plaza Sign Program

PROJECT TITLE: Dixon, California

CONFIDENTIAL AND COPYRIGHT NOTICE  
 UNAUTHORIZED USE, DISCLOSURE, OR COPYING OF THIS DRAWING IS PROHIBITED. DRAWINGS DISTRIBUTED FOR BIDDING PURPOSES SHALL BE RETURNED WITHIN 14 DAYS OF CONTRACT AWARD. DEPOSIT CHECKS WILL BE CASHED FOR ALL OUTSTANDING DRAWINGS.

**PDG** inc.  
 DESIGN & DEVELOPMENT  
 1104 COUNTRY HILLS DR.  
 OGDEN, UTAH 84403

100 SQ. FT.



SCALE: 1/4" = 1'-0"

### GENERAL NOTES

1. ALL DESIGNS USING THE 'FLYING J' LOGOTYPE REQUIRE THE REGISTERED TRADE MARK INSIGNIA AFTER THE 'J'
2. THE FLYING J STRIPES CONSIST OF THREE DISTINCT STRIPES AGAINST A WHITE BACKGROUND. THE STRIPES ALWAYS APPEAR WITH THE CORPORATE NAME OR COMPANY LOGO. EACH STRIPE IS A SOLID COLOR, AT A 30° ANGLE AND THE STRIPE WIDTHS CAN NOT BE ADJUSTED OUTSIDE THE PROPORTIONS. SEE DRAWING NO. R1-25
3. SIGN CONTRACTOR SHALL COORDINATE ALL SIGN ELECTRICAL REQUIREMENTS WITH ELECTRICAL ENGINEER AND PDG DESIGN & DEVELOPMENT. ALL FINAL ELECTRICAL CONNECTIONS WILL BE MADE BY THE GENERAL CONTRACTOR.

### KEY NOTES

1. DOUBLE FACE WITH INTERNAL ILLUMINATED H.O. FLUORESCENT LAMPS. BACKGROUND SUBSTRATE TO BE 3M PANAFLEX 945
2. VINYL GRAPHICS SIGN FACE TO MATCH DESIGN AND PROPORTIONS OF ADOBE ILLUSTRATOR FILE: FFAI
3. CABINET/RETAINERS/TUBE STRUCTURE TO BE PAINTED SEMI-GLOSS BLACK
4. ALUMINUM FAB. PYLON COVER W/TEXCOAT & PAINT TO MATCH BLD.

DATE: JUNE 2004

DRAWING NO.

R1-7

Travel Plaza Sign Program

PROJECT TITLE:

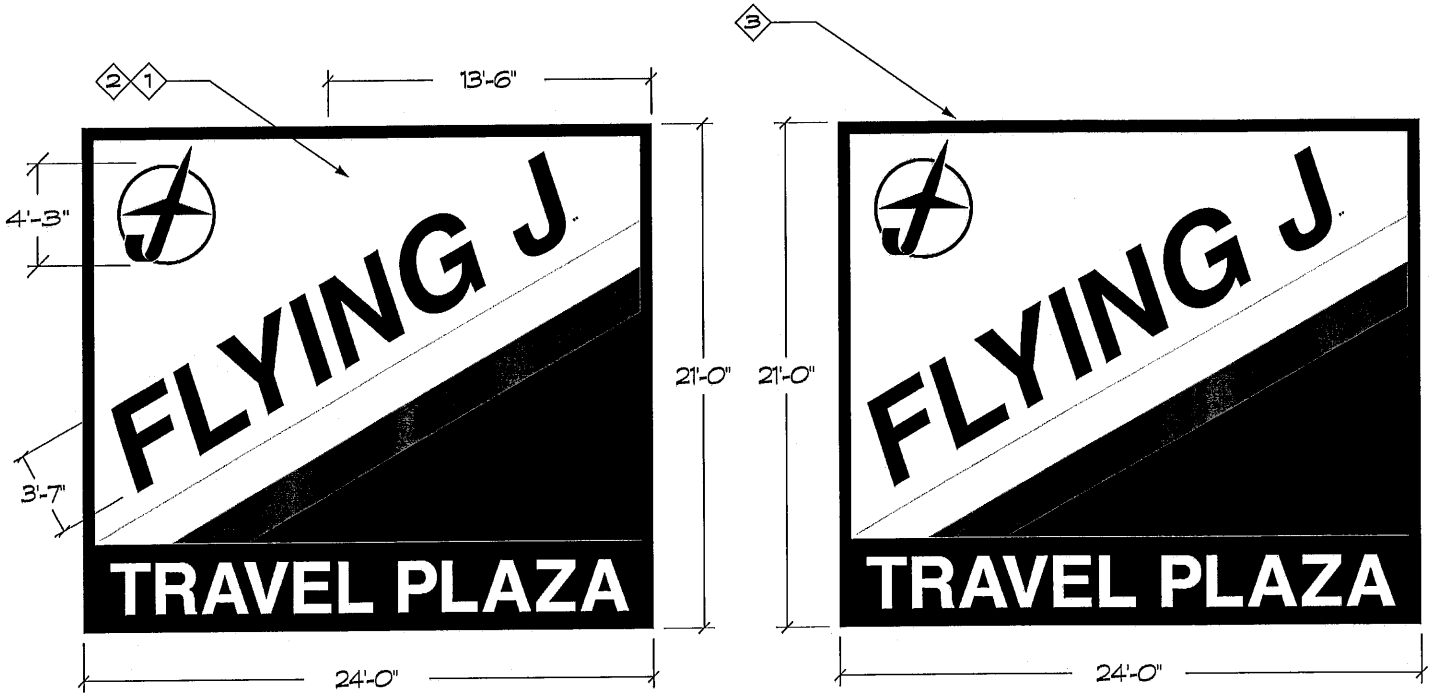
Dixon, California

CONFIDENTIAL AND COPYRIGHT NOTICE  
UNAUTHORIZED USE, DISCLOSURE, OR COPYING OF THIS DRAWING IS PROHIBITED. DRAWINGS DISTRIBUTED FOR BIDDING PURPOSES SHALL BE RETURNED WITHIN 14 DAYS OF CONTRACT AWARD. DEPOSIT CHECKS WILL BE CASHED FOR ALL OUTSTANDING DRAWINGS.

**PDG** inc.  
DESIGN & DEVELOPMENT  
1104 COUNTRY HILLS DR.  
OGDEN, UTAH 84403

# Major Identification Sign

**FLYING J.**



FRONT FACE

SCALE: 1/8" = 1'-0"

504 SQ. FT.

BACK FACE

SCALE: 1/8" = 1'-0"

### COLOR & MATERIAL SCHEDULE

- 3M #7725-12 Opaque Black
- Red 3M VT4757
- Orange 3M VT5604
- Yellow 3M VT5785

### GENERAL NOTES

1. ALL DESIGNS USING THE 'FLYING J' LOGOTYPE REQUIRE THE REGISTERED TRADE MARK INSIGNIA AFTER THE 'J'
2. THE FLYING J STRIPES CONSIST OF THREE DISTINCT STRIPES AGAINST A WHITE BACKGROUND. THE STRIPES ALWAYS APPEAR WITH THE CORPORATE NAME OR COMPANY LOGO. EACH STRIPE IS A SOLID COLOR, AT A 30° ANGLE AND THE STRIPE WIDTHS CAN NOT BE ADJUSTED OUTSIDE THE PROPORTIONS. SEE DRAWING NO. R1-25
3. SIGN CONTRACTOR SHALL COORDINATE ALL SIGN ELECTRICAL REQUIREMENTS WITH ELECTRICAL ENGINEER AND PDG DESIGN & DEVELOPMENT. ALL FINAL ELECTRICAL CONNECTIONS WILL BE MADE BY THE GENERAL CONTRACTOR.

### KEY NOTES

- ① BACKGROUND SUBSTRATE TO BE WHITE 3M PANAFLEX 945
- ② SIGN FACE TO MATCH RATIO AND PROPORTIONS OF COREL GRAPHIC FILE: MAIN\_FT\_BK.CDR
- ③ CABINET/RETAINERS TO BE PAINTED SATIN BLACK

DATE: JUNE 2004

DRAWING NO.

R1-3

Travel Plaza Sign Program

PROJECT TITLE:

Dixon, California

CONFIDENTIAL AND COPYRIGHT NOTICE  
UNAUTHORIZED USE, DISCLOSURE, OR COPYING OF THIS DRAWING IS PROHIBITED. DRAWINGS DISTRIBUTED FOR BIDDING PURPOSES SHALL BE RETURNED WITHIN 14 DAYS OF CONTRACT AWARD. DEPOSIT CHECKS WILL BE CASHED FOR ALL OUTSTANDING DRAWINGS.

**PDG** Inc.  
DESIGN & DEVELOPMENT  
1104 COUNTRY HILLS DR.  
OGDEN, UTAH 84403



# High Rise Country Market Sign

**FLYING J.**



FRONT & BACK FACE

SCALE: 3/16" = 1'-0"

300 SQ. FT.

### COLOR & MATERIAL SCHEDULE

- 3M Opaque Black 7725-12
- 3M Red VT2613
- 3M Light Beige 3630-149
- 3M Yellow VT0830
- 3M Green 3630-136
- 3M Brown 3630-109

### GENERAL NOTES

1. ALL DESIGNS USING THE 'FLYING J' LOGOTYPE REQUIRE THE REGISTERED TRADE MARK INSIGNA AFTER THE 'J'
2. THE FLYING J STRIPES CONSIST OF THREE DISTINCT STRIPES AGAINST A WHITE BACKGROUND. THE STRIPES ALWAYS APPEAR WITH THE CORPORATE NAME OR COMPANY LOGO. EACH STRIPE IS A SOLID COLOR, AT A 30° ANGLE AND THE STRIPE WIDTHS CAN NOT BE ADJUSTED OUTSIDE THE PROPORTIONS. SEE DRAWING NO. R1-25
3. SIGN CONTRACTOR SHALL COORDINATE ALL SIGN ELECTRICAL REQUIREMENTS WITH ELECTRICAL ENGINEER AND PDG DESIGN & DEVELOPMENT. ALL FINAL ELECTRICAL CONNECTIONS WILL BE MADE BY THE GENERAL CONTRACTOR.

### KEY NOTES

- 1 BACKGROUND SUBSTRATE TO BE WHITE 3M PANAFLEX 945 WITH INTERNAL ILLUMINATED MERCURY VAPOR LAMPS
- 2 SIGN FACE TO MATCH GRAPHICS AND PROPORTIONS OF ADOBE ILLUSTRATOR FILE: CMHR.AI
- 3 CABINET/RETAINERS TO BE PAINTED TO MATCH PMS 483C RUST BROWN

DATE: JUNE 2004

DRAWING NO.

R1-4

Travel Plaza Sign Program

PROJECT TITLE:

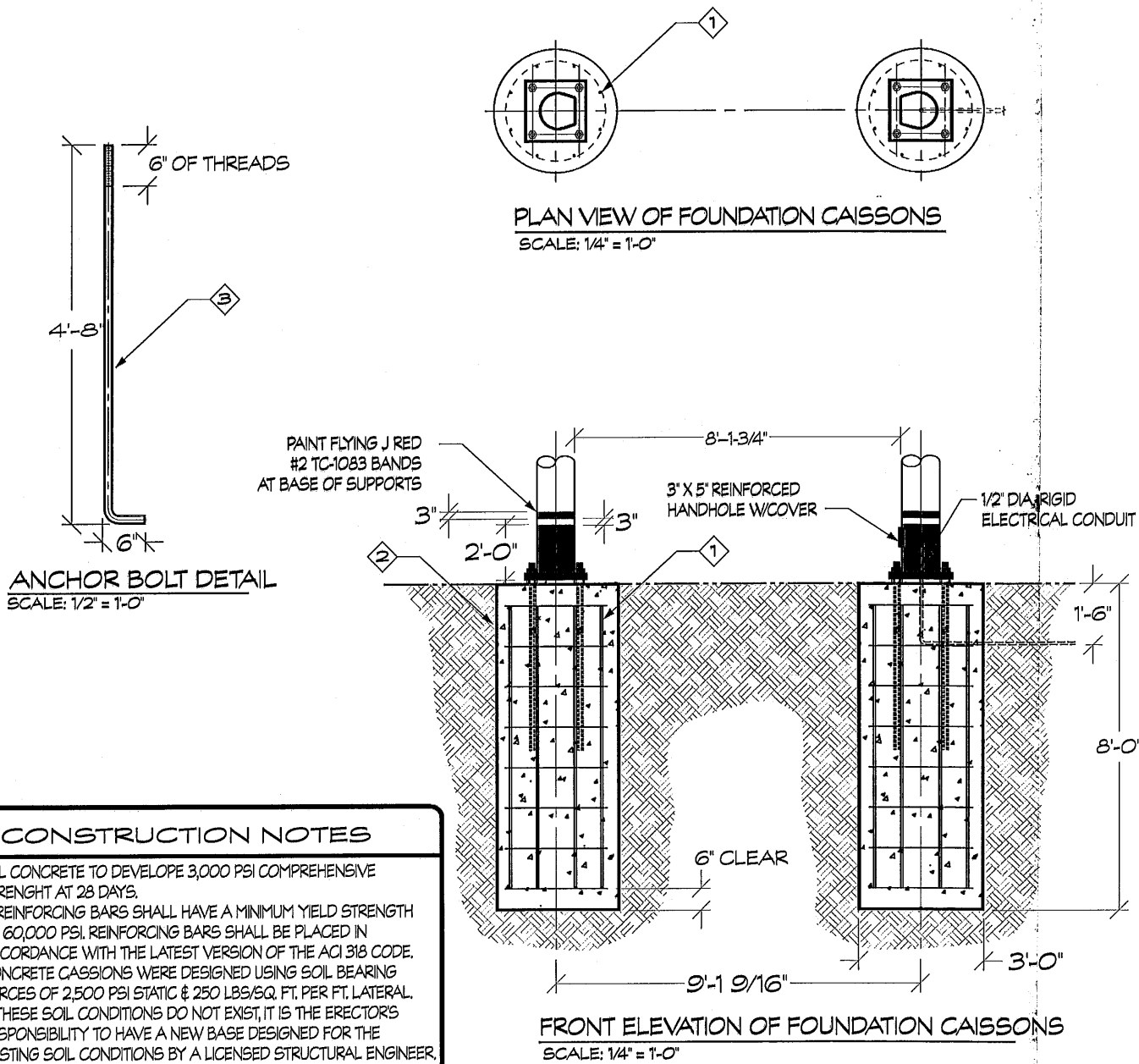
Dixon, California

CONFIDENTIAL AND COPYRIGHT NOTICE  
UNAUTHORIZED USE, DISCLOSURE, OR COPYING OF THIS DRAWING IS PROHIBITED. DRAWINGS DISTRIBUTED FOR BIDDING PURPOSES SHALL BE RETURNED WITHIN 14 DAYS OF CONTRACT AWARD. DEPOSIT CHECKS WILL BE CASHED FOR ALL OUTSTANDING DRAWINGS.

**PDG** Inc.  
DESIGN & DEVELOPMENT  
1104 COUNTRY HILLS DR.  
OGDEN, UTAH 84403

# Fuel Price Sign Foundation Detail CC

**FLYING J**



**CONSTRUCTION NOTES**

1. ALL CONCRETE TO DEVELOPE 3,000 PSI COMPREHENSIVE STRENGHT AT 28 DAYS.
2. A REINFORCING BARS SHALL HAVE A MINIMUM YIELD STRENGTH OF 60,000 PSI. REINFORCING BARS SHALL BE PLACED IN ACCORDANCE WITH THE LATEST VERSION OF THE ACI 318 CODE.
3. CONCRETE CAISSONS WERE DESIGNED USING SOIL BEARING FORCES OF 2,500 PSI STATIC & 250 LBS/SQ. FT. PER FT. LATERAL. IF THESE SOIL CONDITIONS DO NOT EXIST, IT IS THE ERECTOR'S RESPONSIBILITY TO HAVE A NEW BASE DESIGNED FOR THE EXISTING SOIL CONDITIONS BY A LICENSED STRUCTURAL ENGINEER.

**GENERAL NOTES**

1. ALL DESIGNS USING THE 'FLYING J' LOGOTYPE REQUIRE THE REGISTERED TRADE MARK INSIGNIA AFTER THE 'J'
2. THE FLYING J STRIPES CONSIST OF THREE DISTINCT STRIPES AGAINST A WHITE BACKGROUND. THE STRIPES ALWAYS APPEAR WITH THE CORPORATE NAME OR COMPANY LOGO. EACH STRIPE IS A SOLID COLOR, AT A 30° ANGLE AND THE STRIPE WIDTHS CAN NOT BE ADJUSTED OUTSIDE THE PROPORTIONS. SEE DRAWING NO. R1-25
3. SIGN CONTRACTOR SHALL COORDINATE ALL SIGN ELECTRICAL REQUIREMENTS WITH ELECTRICAL ENGINEER AND PDG DESIGN & DEVELOPMENT. ALL FINAL ELECTRICAL CONNECTIONS WILL BE MADE BY THE GENERAL CONTRACTOR.

**KEY NOTES**

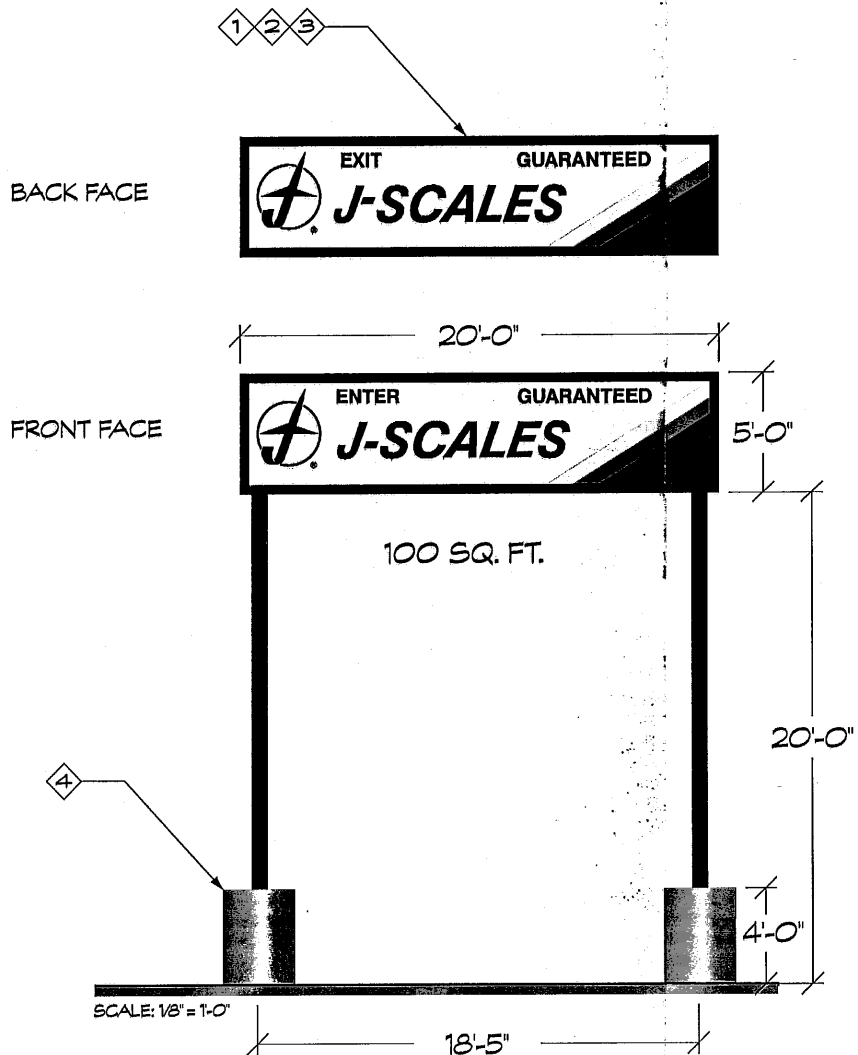
- ① (8) #5 VERTICAL REBARS, 10'-0" LONG, EQUALLY SPACED AROUND A 30" DIA. REBAR CIRCLE. (11) #3 REBAR TIES, 30" DIA., VERTICALLY SPACED ON 12" CENTERS
- ② SUPPORTS TO HAVE AN ANCHOR BOLT FOUNDATION AS SPECIFIED PER THE CONOCO PROVIDED SPECIFICATION SHEET (PROVIDED BY OTHERS)
- ③ ANCHOR BOLTS ARE MANUFACTURED IAW AASHTO SPECIFICATION M314-90 GRADE 55. FURNISHED BY CONOCO.

DATE: JUNE 2004  
DRAWING NO. R1-6

Travel Plaza Sign Program  
PROJECT TITLE: Dixon, California

CONFIDENTIAL AND COPYRIGHT NOTICE  
UNAUTHORIZED USE, DISCLOSURE, OR COPYING OF THIS DRAWING IS PROHIBITED. DRAWINGS DISTRIBUTED FOR BIDDING PURPOSES SHALL BE RETURNED WITHIN 14 DAYS OF CONTRACT AWARD. DEPOSIT CHECKS WILL BE CASHED FOR ALL OUTSTANDING DRAWINGS.

**PDG** inc.  
DESIGN & DEVELOPMENT  
1101 COUNTRY HILLS DR.  
OGDEN, UTAH 84403



### GENERAL NOTES

1. ALL DESIGNS USING THE 'FLYING J' LOGOTYPE REQUIRE THE REGISTERED TRADE MARK INSIGNIA AFTER THE 'J'
2. THE FLYING J STRIPES CONSIST OF THREE DISTINCT STRIPES AGAINST A WHITE BACKGROUND. THE STRIPES ALWAYS APPEAR WITH THE CORPORATE NAME OR COMPANY LOGO. EACH STRIPE IS A SOLID COLOR, AT A 30° ANGLE AND THE STRIPE WIDTHS CAN NOT BE ADJUSTED OUTSIDE THE PROPORTIONS. SEE DRAWING NO. R1-25
3. SIGN CONTRACTOR SHALL COORDINATE ALL SIGN ELECTRICAL REQUIREMENTS WITH ELECTRICAL ENGINEER AND PDG DESIGN & DEVELOPMENT. ALL FINAL ELECTRICAL CONNECTIONS WILL BE MADE BY THE GENERAL CONTRACTOR.

### KEY NOTES

1. DOUBLE FACE WITH INTERNAL ILLUMINATED H.O. FLUORESCENT LAMPS. BACKGROUND SUBSTRATE TO BE 3M PANAFLEX 945
2. VINYL GRAPHICS SIGN FACE TO MATCH DESIGN AND PROPORTIONS OF ADOBE ILLUSTRATOR FILE: AE.AI
3. CABINET/RETAINERS/TUBE STRUCTURE TO BE PAINTED SEMI-GLOSS BLACK
4. 36" DIA. CONCRETE BUMPER

DATE: JUNE 2004

DRAWING NO.

R1-8

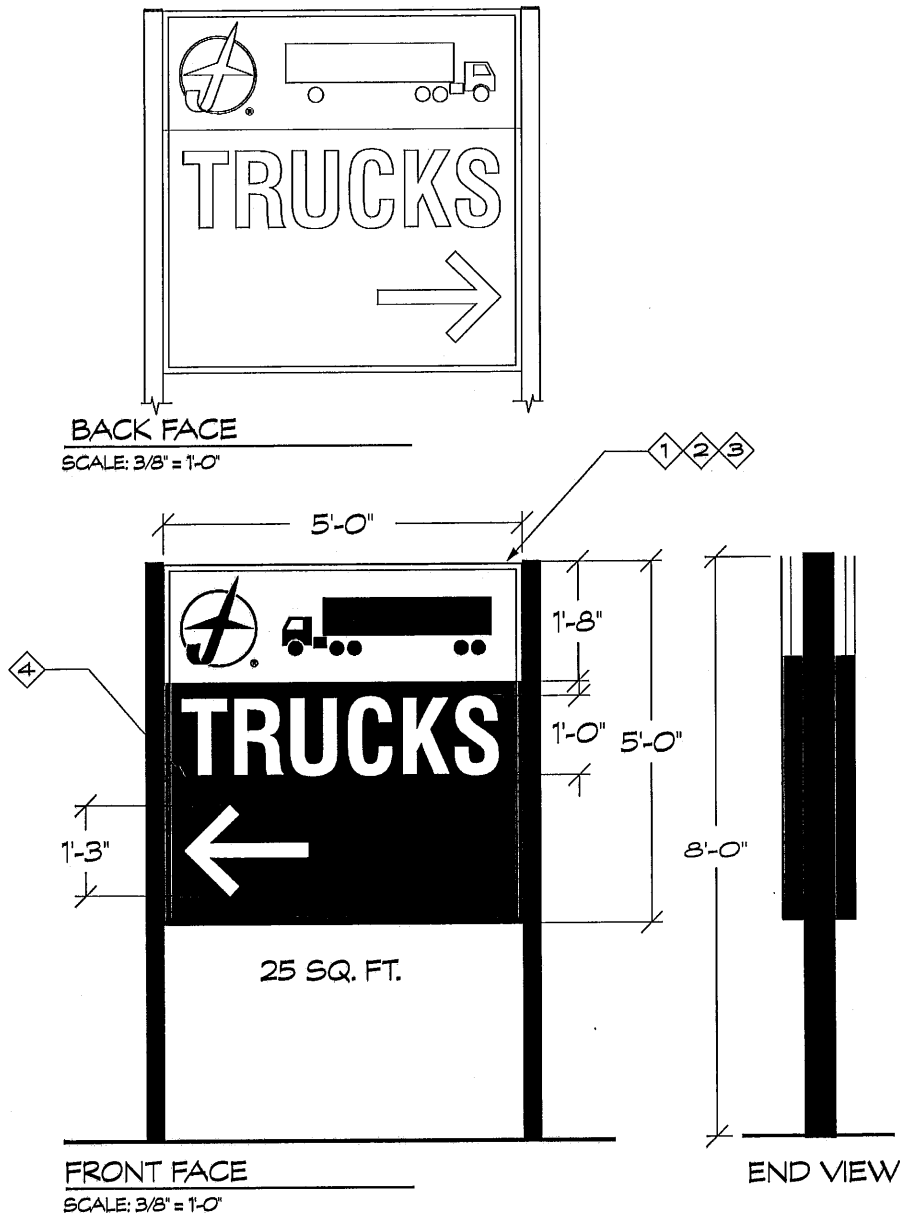
Travel Plaza Sign Program

PROJECT TITLE:

Dixon, California

CONFIDENTIAL AND COPYRIGHT NOTICE  
UNAUTHORIZED USE, DISCLOSURE, OR COPYING OF THIS  
DRAWING IS PROHIBITED. DRAWINGS DISTRIBUTED FOR  
BIDDING PURPOSES SHALL BE RETURNED WITHIN 14 DAYS  
OF CONTRACT AWARD. DEPOSIT CHECKS WILL BE CASHED  
FOR ALL OUTSTANDING DRAWINGS.

**PDG** inc.  
DESIGN & DEVELOPMENT  
1104 COUNTRY HILLS DR.  
OGDEN, UTAH 84403



### GENERAL NOTES

1. ALL DESIGNS USING THE 'FLYING J' LOGOTYPE REQUIRE THE REGISTERED TRADE MARK INSIGNIA AFTER THE 'J'
2. THE FLYING J STRIPES CONSIST OF THREE DISTINCT STRIPES AGAINST A WHITE BACKGROUND. THE STRIPES ALWAYS APPEAR WITH THE CORPORATE NAME OR COMPANY LOGO. EACH STRIPE IS A SOLID COLOR, AT A 30° ANGLE AND THE STRIPE WIDTHS CAN NOT BE ADJUSTED OUTSIDE THE PROPORTIONS. SEE DRAWING NO. R1-25
3. SIGN CONTRACTOR SHALL COORDINATE ALL SIGN ELECTRICAL REQUIREMENTS WITH ELECTRICAL ENGINEER AND PDG DESIGN & DEVELOPMENT. ALL FINAL ELECTRICAL CONNECTIONS WILL BE MADE BY THE GENERAL CONTRACTOR.

### KEY NOTES

1. DOUBLE FACE WITH INTERNAL ILLUMINATED H.O. FLUORESCENT LAMPS. BACKGROUND SUBSTRATE TO BE WHITE LEXAN. BLACK VINYL GRAPHICS APPLIED TO TOP SECTION.
2. VINYL GRAPHICS SIGN FACE TO MATCH DESIGN AND PROPORTIONS OF ADOBE ILLUSTRATOR FILE: K,A1
3. TUBE STRUCTURE TO BE PAINTED SEMI-GLOSS SATIN BLACK
4. TRANSLUCENT RED VINYL APPLIED TO FIRST SURFACE

DATE: JUNE 2004

DRAWING NO.

R1-9

Travel Plaza Sign Program

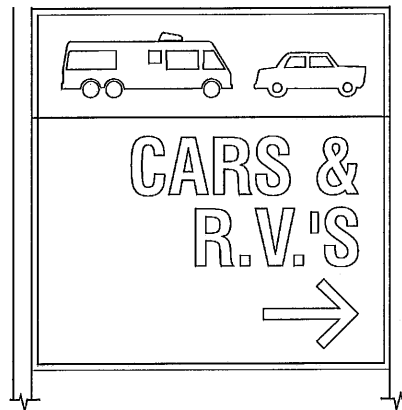
PROJECT TITLE:

Dixon, California

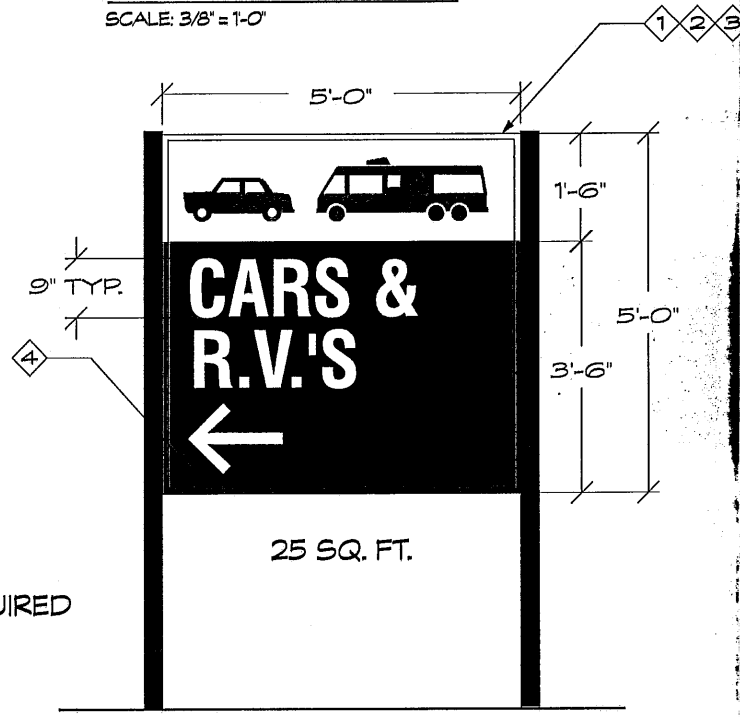
CONFIDENTIAL AND COPYRIGHT NOTICE  
UNAUTHORIZED USE, DISCLOSURE, OR COPYING OF THIS DRAWING IS PROHIBITED. DRAWINGS DISTRIBUTED FOR BIDDING PURPOSES SHALL BE RETURNED WITHIN 14 DAYS OF CONTRACT AWARD. DEPOSIT CHECKS WILL BE CASHED FOR ALL OUTSTANDING DRAWINGS.

**PDG** inc.  
DESIGN & DEVELOPMENT  
1104 COUNTRY HILLS DR.  
OGDEN, UTAH 84403

# Car and R.V.'s Sign L



**BACK FACE**  
SCALE: 3/8" = 1'-0"



**FRONT FACE**  
SCALE: 3/8" = 1'-0"

**END VIEW**

(2) REQUIRED

### GENERAL NOTES

1. ALL DESIGNS USING THE "FLYING J" LOGOTYPE REQUIRE THE REGISTERED TRADE MARK INSIGNA AFTER THE "J"
2. THE FLYING J STRIPES CONSIST OF THREE DISTINCT STRIPES AGAINST A WHITE BACKGROUND. THE STRIPES ALWAYS APPEAR WITH THE CORPORATE NAME OR COMPANY LOGO. EACH STRIPE IS A SOLID COLOR, AT A 30° ANGLE AND THE STRIPE WIDTHS CAN NOT BE ADJUSTED OUTSIDE THE PROPORTIONS. SEE DRAWING NO. R1-25
3. SIGN CONTRACTOR SHALL COORDINATE ALL SIGN ELECTRICAL REQUIREMENTS WITH ELECTRICAL ENGINEER AND PDG DESIGN & DEVELOPMENT. ALL FINAL ELECTRICAL CONNECTIONS WILL BE MADE BY THE GENERAL CONTRACTOR.

### KEY NOTES

1. DOUBLE FACE WITH INTERNAL ILLUMINATED H.O. FLUORESCENT LAMPS. BACKGROUND SUBSTRATE TO BE WHITE LEXAN. BLACK VINYL GRAPHICS APPLIED TO TOP SECTION.
2. VINYL GRAPHICS SIGN FACE TO MATCH DESIGN AND PROPORTIONS OF ADOBE ILLUSTRATOR FILE: LAI
3. TUBE STRUCTURE TO BE PAINTED SEMI-GLOSS SATIN BLACK
4. TRANSLUCENT RED VINYL APPLIED TO FIRST SURFACE

DATE: JUNE 2004

DRAWING NO.

**R1-10**

Travel Plaza Sign Program

PROJECT TITLE:

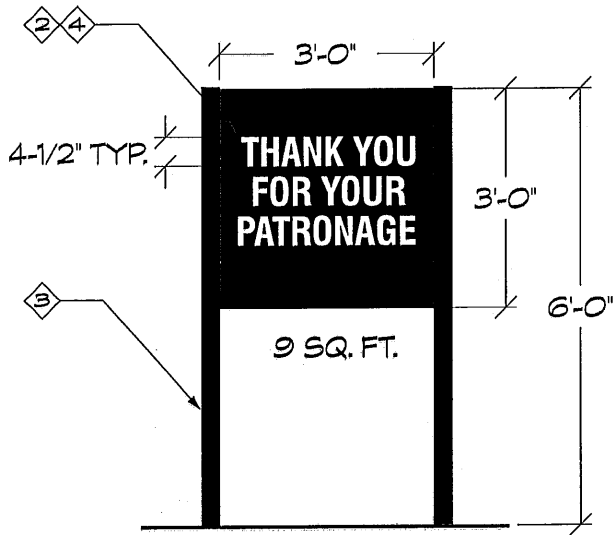
Dixon, California

CONFIDENTIAL AND COPYRIGHT NOTICE  
UNAUTHORIZED USE, DISCLOSURE, OR COPYING OF THIS DRAWING IS PROHIBITED. DRAWINGS DISTRIBUTED FOR BIDDING PURPOSES SHALL BE RETURNED WITHIN 14 DAYS OF CONTRACT AWARD. DEPOSIT CHECKS WILL BE CASHED FOR ALL OUTSTANDING DRAWINGS.

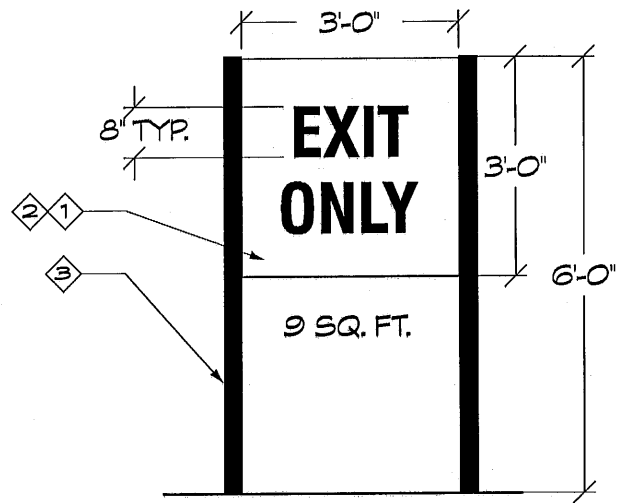
**PDG** inc.  
DESIGN & DEVELOPMENT  
1104 COUNTRY HILLS DR.  
OGDEN, UTAH 84403

# Exit, Scale, and Thank You Signs P, U

**FLYING J.**



**SIGN TYPE U (one sided)**  
SCALE: 3/8" = 1'-0"



**SIGN TYPE P (one sided)**  
SCALE: 3/8" = 1'-0"

## GENERAL NOTES

1. ALL DESIGNS USING THE 'FLYING J' LOGOTYPE REQUIRE THE REGISTERED TRADE MARK INSIGNIA AFTER THE 'J'
2. THE FLYING J STRIPES CONSIST OF THREE DISTINCT STRIPES AGAINST A WHITE BACKGROUND. THE STRIPES ALWAYS APPEAR WITH THE CORPORATE NAME OR COMPANY LOGO. EACH STRIPE IS A SOLID COLOR, AT A 30° ANGLE AND THE STRIPE WIDTHS CAN NOT BE ADJUSTED OUTSIDE THE PROPORTIONS. SEE DRAWING NO. R1-25
3. SIGN CONTRACTOR SHALL COORDINATE ALL SIGN ELECTRICAL REQUIREMENTS WITH ELECTRICAL ENGINEER AND PDG DESIGN & DEVELOPMENT. ALL FINAL ELECTRICAL CONNECTIONS WILL BE MADE BY THE GENERAL CONTRACTOR.

## KEY NOTES

- 1 SATIN WHITE BACKGROUND FINISH WITH NO ILLUMINATION. BLACK VINYL GRAPHICS TO BE 3M 7725-12
- 2 GRAPHICS SIGN FACE TO MATCH DESIGN AND PROPORTIONS OF ADOBE ILLUSTRATOR FILE: PTU.AI
- 3 TUBE STRUCTURE TO BE PAINTED SEMI-GLOSS SATIN BLACK
- 4 BACKGROUND TO MATCH PMS 485 SATIN RED WITH NO ILLUMINATION AND WHITE VINYL GRAPHICS 3M 7725-10

DATE: JUNE 2004

DRAWING NO.

R1-11

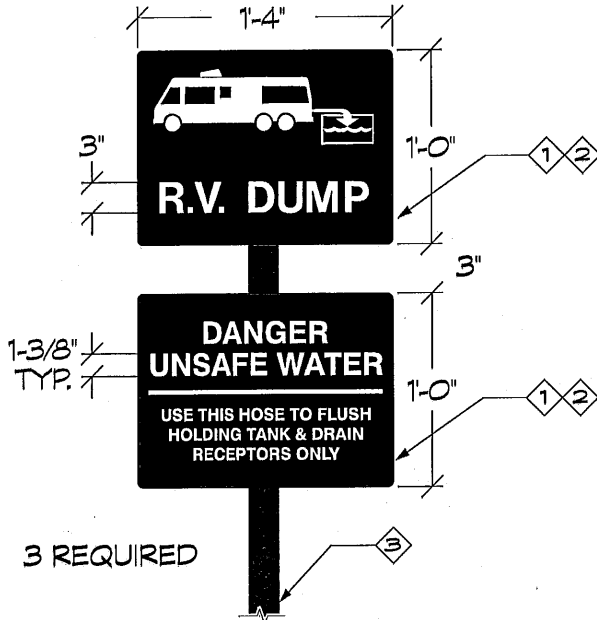
Travel Plaza Sign Program

PROJECT TITLE:

Dixon, California

CONFIDENTIAL AND COPYRIGHT NOTICE  
UNAUTHORIZED USE, DISCLOSURE, OR COPYING OF THIS  
DRAWING IS PROHIBITED. DRAWINGS DISTRIBUTED FOR  
BIDDING PURPOSES SHALL BE RETURNED WITHIN 14 DAYS  
OF CONTRACT AWARD. DEPOSIT CHECKS WILL BE CASHED  
FOR ALL OUTSTANDING DRAWINGS.

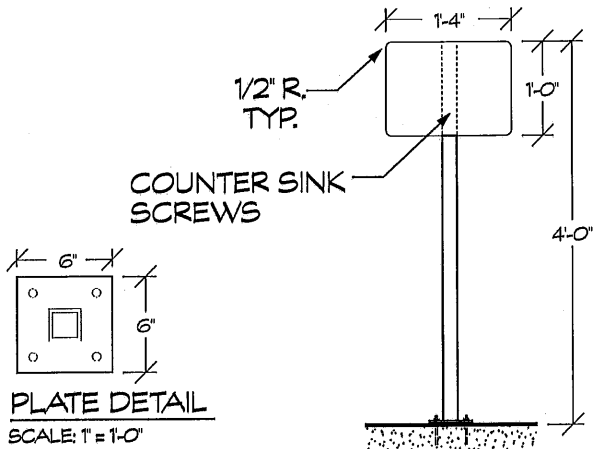
**PDG** inc.  
DESIGN & DEVELOPMENT  
1104 COUNTRY HILLS DR.  
OGDEN, UTAH 84403



**SIGN TYPE X & V ON ONE POST (one face)**  
SCALE: 1" = 1'-0"

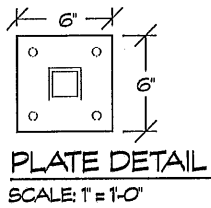


**SIGN TYPE W (one face)**  
SCALE: 1" = 1'-0"



**SIGN TYPE Y (one face)**  
SCALE: 1" = 1'-0"

**INSTALLATION DETAIL**  
SCALE: 1/2" = 1'-0"



**PLATE DETAIL**  
SCALE: 1" = 1'-0"

**GENERAL NOTES**

1. ALL DESIGNS USING THE 'FLYING J' LOGOTYPE REQUIRE THE REGISTERED TRADE MARK INSIGNIA AFTER THE 'J'
2. THE FLYING J STRIPES CONSIST OF THREE DISTINCT STRIPES AGAINST A WHITE BACKGROUND. THE STRIPES ALWAYS APPEAR WITH THE CORPORATE NAME OR COMPANY LOGO. EACH STRIPE IS A SOLID COLOR, AT A 30° ANGLE AND THE STRIPE WIDTHS CAN NOT BE ADJUSTED OUTSIDE THE PROPORTIONS. SEE DRAWING NO. R1-25
3. SIGN CONTRACTOR SHALL COORDINATE ALL SIGN ELECTRICAL REQUIREMENTS WITH ELECTRICAL ENGINEER AND PDG DESIGN & DEVELOPMENT. ALL FINAL ELECTRICAL CONNECTIONS WILL BE MADE BY THE GENERAL CONTRACTOR.

**KEY NOTES**

- 1 ALUMINUM PANEL TO MATCH PMS 485 SATIN RED WITH WHITE VINYL GRAPHICS 3M 7725-10
- 2 GRAPHICS SIGN FACE TO MATCH DESIGN AND PROPORTIONS OF ADOBE ILLUSTRATOR FILE: VWXY.AI
- 3 TUBE STRUCTURE TO BE PAINTED SEMI-GLOSS SATIN BLACK

DATE: JUNE 2004

DRAWING NO.

R1-12

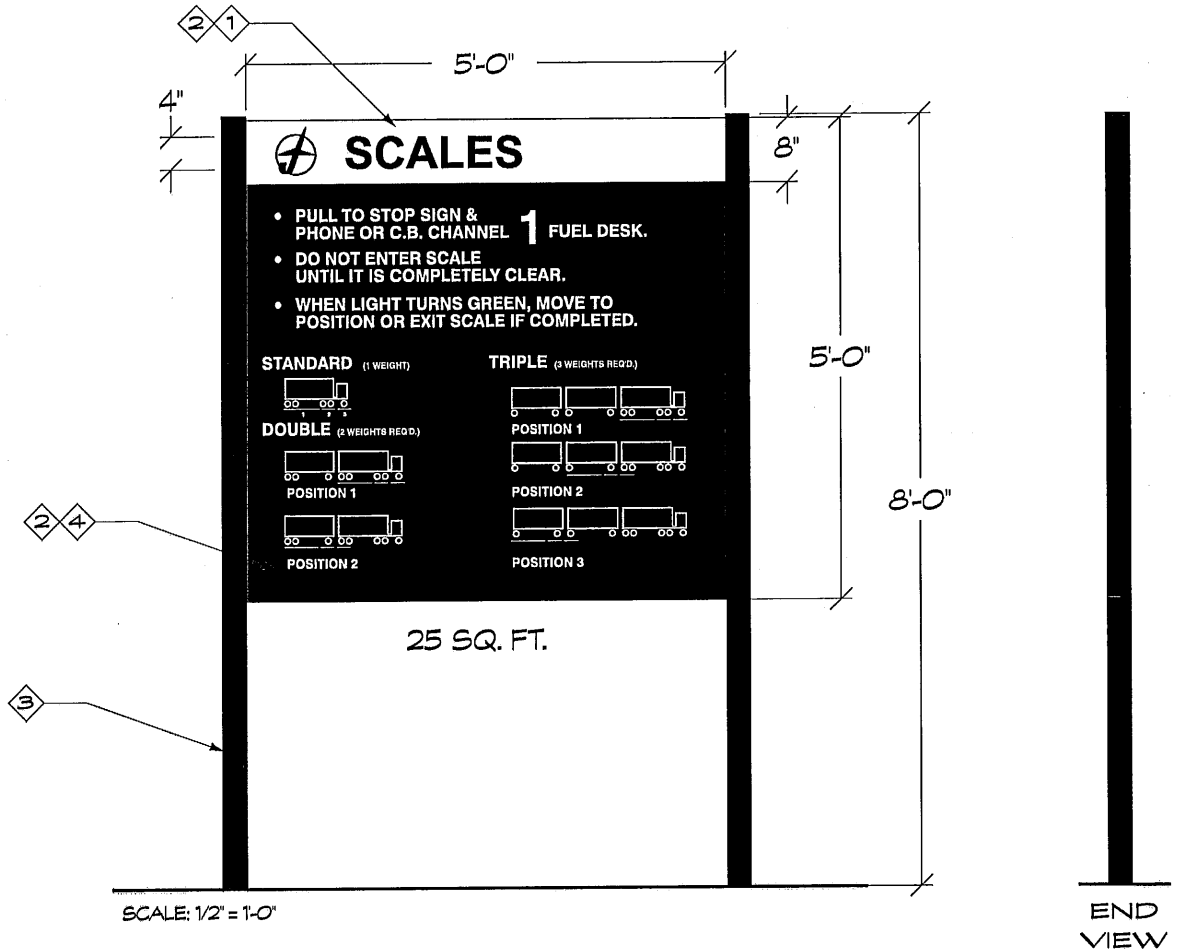
Travel Plaza Sign Program

PROJECT TITLE:

Dixon, California

CONFIDENTIAL AND COPYRIGHT NOTICE  
UNAUTHORIZED USE, DISCLOSURE, OR COPYING OF THIS DRAWING IS PROHIBITED. DRAWINGS DISTRIBUTED FOR BIDDING PURPOSES SHALL BE RETURNED WITHIN 14 DAYS OF CONTRACT AWARD. DEPOSIT CHECKS WILL BE CASHED FOR ALL OUTSTANDING DRAWINGS.





### GENERAL NOTES

1. ALL DESIGNS USING THE "FLYING J" LOGOTYPE REQUIRE THE REGISTERED TRADE MARK INSIGNIA AFTER THE "J"
2. THE FLYING J STRIPES CONSIST OF THREE DISTINCT STRIPES AGAINST A WHITE BACKGROUND. THE STRIPES ALWAYS APPEAR WITH THE CORPORATE NAME OR COMPANY LOGO. EACH STRIPE IS A SOLID COLOR, AT A 30° ANGLE AND THE STRIPE WIDTHS CAN NOT BE ADJUSTED OUTSIDE THE PROPORTIONS. SEE DRAWING NO. R1-25
3. SIGN CONTRACTOR SHALL COORDINATE ALL SIGN ELECTRICAL REQUIREMENTS WITH ELECTRICAL ENGINEER AND PDG DESIGN & DEVELOPMENT. ALL FINAL ELECTRICAL CONNECTIONS WILL BE MADE BY THE GENERAL CONTRACTOR.

### KEY NOTES

- 1 SATIN WHITE BACKGROUND FINISH WITH NO ILLUMINATION. BLACK VINYL GRAPHICS TO BE 3M 7725-12
- 2 GRAPHICS SIGN FACE TO MATCH DESIGN AND PROPORTIONS OF ADOBE ILLUSTRATOR FILE: Z.A1
- 3 TUBE STRUCTURE TO BE PAINTED SEMI-GLOSS SATIN BLACK
- 4 BACKGROUND TO MATCH PMS 485 SATIN RED WITH NO ILLUMINATION AND WHITE VINYL GRAPHICS 3M 7725-10

DATE: JUNE 2004

DRAWING NO.

R1-13

Travel Plaza Sign Program

PROJECT TITLE:

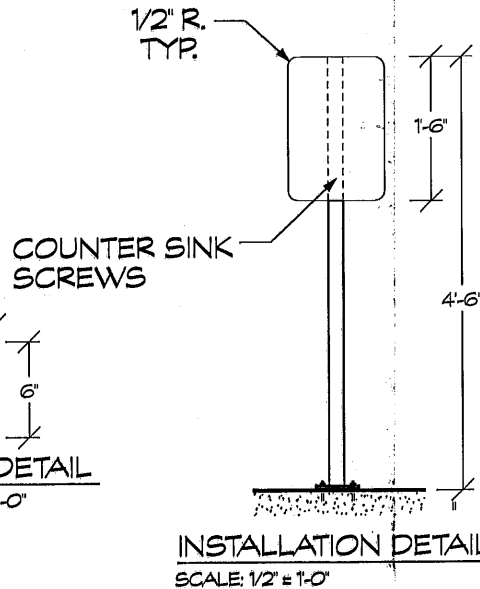
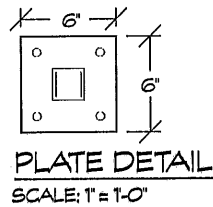
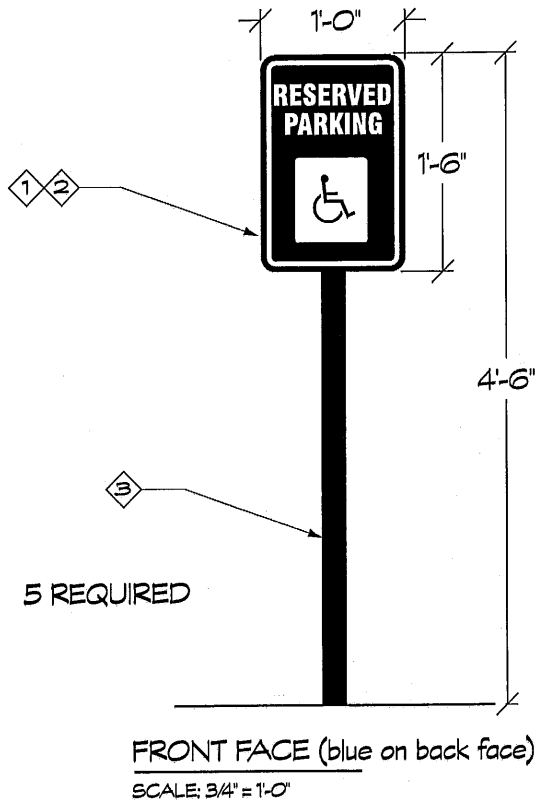
Dixon, California

CONFIDENTIAL AND COPYRIGHT NOTICE  
UNAUTHORIZED USE, DISCLOSURE, OR COPYING OF THIS DRAWING IS PROHIBITED. DRAWINGS DISTRIBUTED FOR BIDDING PURPOSES SHALL BE RETURNED WITHIN 14 DAYS OF CONTRACT AWARD. DEPOSIT CHECKS WILL BE CASHED FOR ALL OUTSTANDING DRAWINGS.

**PDG** inc.  
DESIGN & DEVELOPMENT  
1104 COUNTRY HILLS DR.  
OGDEN, UTAH 84403



# Disabled Parking Sign AD



## GENERAL NOTES

1. ALL DESIGNS USING THE "FLYING J" LOGOTYPE REQUIRE THE REGISTERED TRADE MARK INSIGNIA AFTER THE "J"
2. THE FLYING J STRIPES CONSIST OF THREE DISTINCT STRIPES AGAINST A WHITE BACKGROUND. THE STRIPES ALWAYS APPEAR WITH THE CORPORATE NAME OR COMPANY LOGO. EACH STRIPE IS A SOLID COLOR, AT A 30° ANGLE AND THE STRIPE WIDTHS CAN NOT BE ADJUSTED OUTSIDE THE PROPORTIONS. SEE DRAWING NO. R1-25
3. SIGN CONTRACTOR SHALL COORDINATE ALL SIGN ELECTRICAL REQUIREMENTS WITH ELECTRICAL ENGINEER AND PDG DESIGN & DEVELOPMENT. ALL FINAL ELECTRICAL CONNECTIONS WILL BE MADE BY THE GENERAL CONTRACTOR.

## KEY NOTES

- 1 WHITE 9M 7725-10 VINYL GRAPHICS ON PTM VIVID BLUE VINYL 7725-17 OR PMS #2945 BACKGROUND
- 2 GRAPHICS SIGN FACE TO MATCH DESIGN AND PROPORTIONS OF ADOBE ILLUSTRATOR FILE: AD.AI ALL SIGN ELEMENTS MUST BE ADA COMPLIANT.
- 3 TUBE STRUCTURE TO BE PAINTED SEMI-GLOSS SATIN BLACK
- 4

DATE: JUNE 2004

DRAWING NO.

R1-14

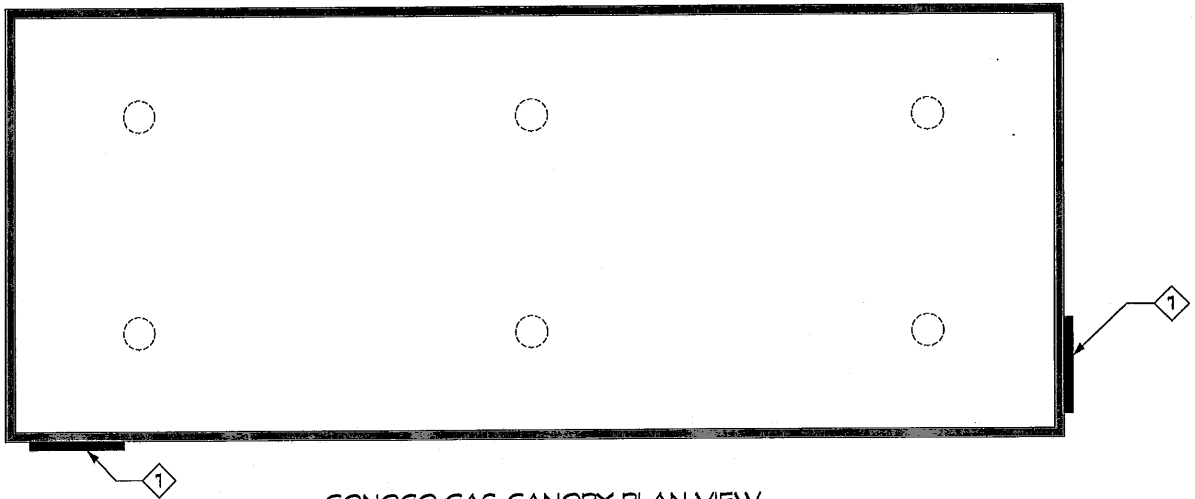
Travel Plaza Sign Program

PROJECT TITLE:

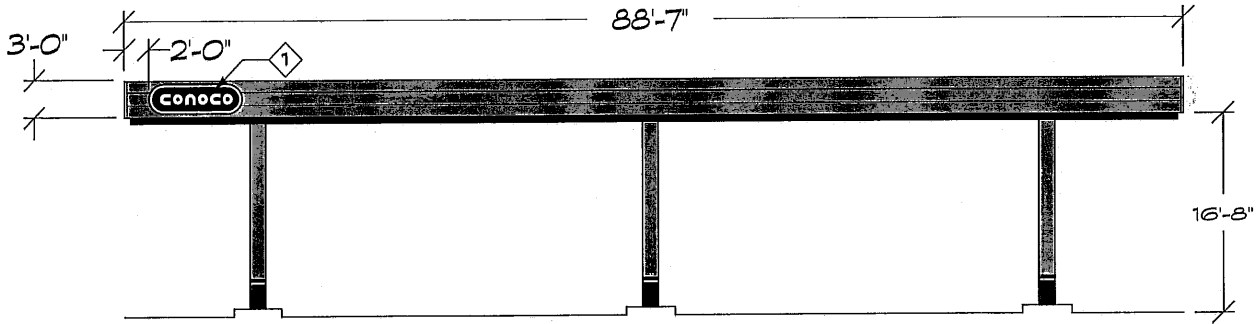
Dixon, California

CONFIDENTIAL AND COPYRIGHT NOTICE  
UNAUTHORIZED USE, DISCLOSURE, OR COPYING OF THIS DRAWING IS PROHIBITED. DRAWINGS DISTRIBUTED FOR BIDDING PURPOSES SHALL BE RETURNED WITHIN 14 DAYS OF CONTRACT AWARD. DEPOSIT CHECKS WILL BE CASHED FOR ALL OUTSTANDING DRAWINGS.

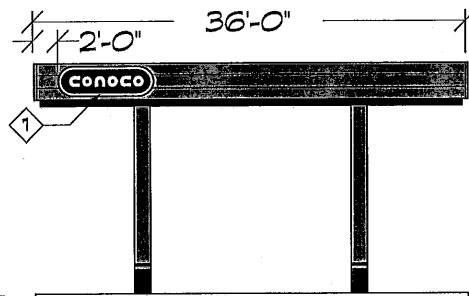
**PDG** inc.  
DESIGN & DEVELOPMENT  
1104 COUNTRY HILLS DR.  
OGDEN, UTAH 84403



**CONOCO GAS CANOPY PLAN VIEW**  
SCALE: 1/16" = 1'-0"



**CONOCO GAS CANOPY FRONT E.E.V.**  
SCALE: 1/16" = 1'-0"



**CONOCO GAS CANOPY END E.E.V.**  
SCALE: 1/16" = 1'-0"

### GENERAL NOTES

1. ALL DESIGNS USING THE 'FLYING J' LOGOTYPE REQUIRE THE REGISTERED TRADE MARK INSIGNIA AFTER THE 'J'
2. THE FLYING J STRIPES CONSIST OF THREE DISTINCT STRIPES AGAINST A WHITE BACKGROUND. THE STRIPES ALWAYS APPEAR WITH THE CORPORATE NAME OR COMPANY LOGO. EACH STRIPE IS A SOLID COLOR, AT A 30° ANGLE AND THE STRIPE WIDTHS CAN NOT BE ADJUSTED OUTSIDE THE PROPORTIONS. SEE DRAWING NO. R1-25
3. SIGN CONTRACTOR SHALL COORDINATE ALL SIGN ELECTRICAL REQUIREMENTS WITH ELECTRICAL ENGINEER AND PDG DESIGN & DEVELOPMENT. ALL FINAL ELECTRICAL CONNECTIONS WILL BE MADE BY THE GENERAL CONTRACTOR.

### KEY NOTES

1. OWNER PROVIDE, CONTRACTOR INSTALLED, 8' CONOCO I.D. CAPSULE. SIGN TO BE CENTERED VERTICALLY ON ON CANOPY FASCIA AND LOCATED 2 PLACES.

DATE: JUNE 2004

DRAWING NO.

**R1-15**

Travel Plaza Sign Program

PROJECT TITLE:

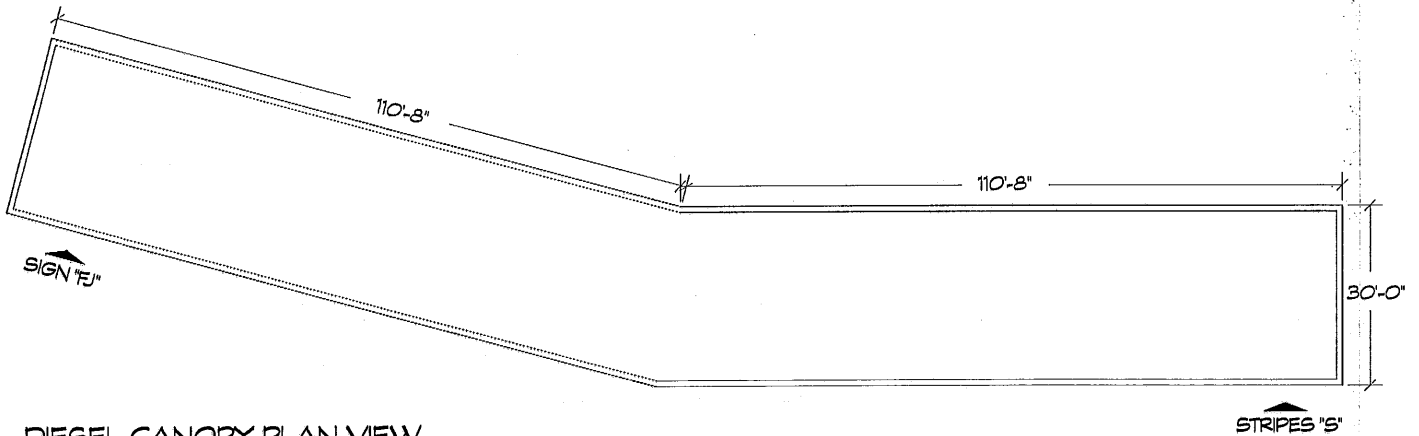
Dixon, California

CONFIDENTIAL AND COPYRIGHT NOTICE  
UNAUTHORIZED USE, DISCLOSURE, OR COPYING OF THIS  
DRAWING IS PROHIBITED. DRAWINGS DISTRIBUTED FOR  
BIDDING PURPOSES SHALL BE RETURNED WITHIN 14 DAYS  
OF CONTRACT AWARD. DEPOSIT CHECKS WILL BE CASHED  
FOR ALL OUTSTANDING DRAWINGS.

**PDG** inc.  
DESIGN & DEVELOPMENT  
1104 COUNTRY HILLS DR.  
OGDEN, UTAH 84403

# Canopy Sign **FJ** and Stripes **S**

**FLYING J.**



**DIESEL CANOPY PLAN VIEW**  
SCALE: 1/32" = 1'-0"



**DIESEL CANOPY SIGN "FJ"**  
SCALE: 1/8" = 1'-0"

**DIESEL CANOPY STRIPES "S"**  
SCALE: 1/8" = 1'-0"

## GENERAL NOTES

1. ALL DESIGNS USING THE 'FLYING J' LOGOTYPE REQUIRE THE REGISTERED TRADE MARK INSIGNIA AFTER THE 'J'
2. THE FLYING J STRIPES CONSIST OF THREE DISTINCT STRIPES AGAINST A WHITE BACKGROUND. THE STRIPES ALWAYS APPEAR WITH THE CORPORATE NAME OR COMPANY LOGO. EACH STRIPE IS A SOLID COLOR, AT A 30° ANGLE AND THE STRIPE WIDTHS CAN NOT BE ADJUSTED OUTSIDE THE PROPORTIONS. SEE DRAWING NO. R1-25
3. SIGN CONTRACTOR SHALL COORDINATE ALL SIGN ELECTRICAL REQUIREMENTS WITH ELECTRICAL ENGINEER AND PDG DESIGN & DEVELOPMENT. ALL FINAL ELECTRICAL CONNECTIONS WILL BE MADE BY THE GENERAL CONTRACTOR.

## KEY NOTES

1. ILLUMINATED LED SIGN "FJ" LOGO & LETTERS PROVIDED AND INSTALLED BY OWNER
2. ILLUMINATED STRIPES "S" PROVIDED AND INSTALLED BY OWNER
3. ALL SEAMS IN FACIA NOT TO EXCEED 1/16"

DATE: JUNE 2004

DRAWING NO.

**R1-16**

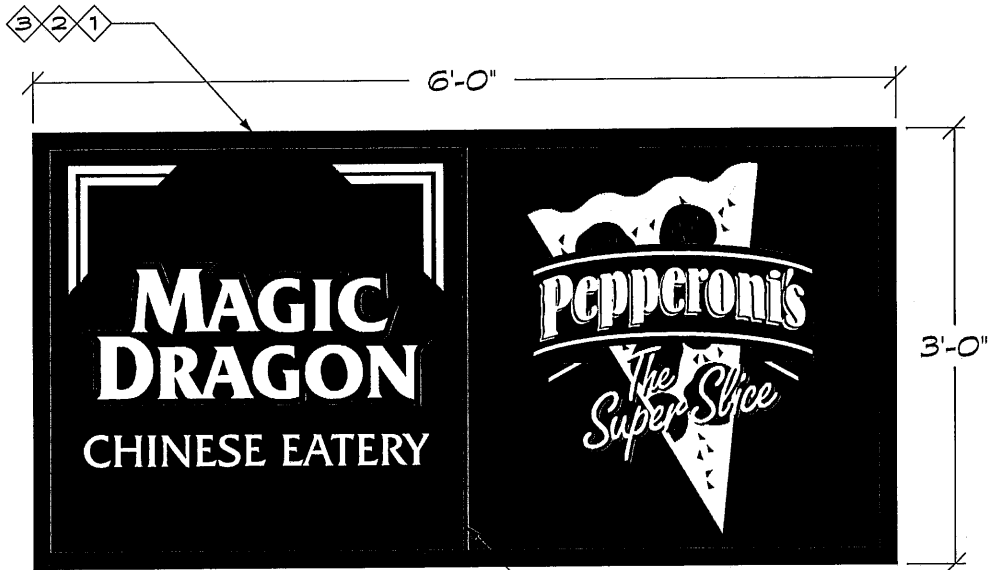
**Travel Plaza Sign Program**

PROJECT TITLE:

**Dixon, California**

CONFIDENTIAL AND COPYRIGHT NOTICE  
UNAUTHORIZED USE, DISCLOSURE, OR COPYING OF THIS DRAWING IS PROHIBITED. DRAWINGS DISTRIBUTED FOR BIDDING PURPOSES SHALL BE RETURNED WITHIN 14 DAYS OF CONTRACT AWARD. DEPOSIT CHECKS WILL BE CASHED FOR ALL OUTSTANDING DRAWINGS.

**PDG** inc.  
DESIGN & DEVELOPMENT  
1104 COUNTRY HILLS DR.  
OGDEN, UTAH 84403



FRONT FACE

SCALE: 3/4" = 1'-0"

VERTICAL DIVIDER STRIPE  
TO BE BLACK SATIN FINISH

18 SQ. FT.

### MAGIC DRAGON COLOR & MATERIAL SCHEDULE

- 3M BLACK VINYL 3630-22
- 3M RED VINYL 3630-73
- 3M YELLOW VINYL 3630-25

### PEPPERONI'S COLOR & MATERIAL SCHEDULE

- 3M BLACK VINYL 3630-22
- 3M RED VINYL 3630-143
- 3M YELLOW VINYL 3630-75
- 3M IVORY VINYL 3630-005
- 3M GREEN VINYL 3630-76
- 3M RUST VINYL 3630-109

### GENERAL NOTES

1. ALL DESIGNS USING THE 'FLYING J' LOGOTYPE REQUIRE THE REGISTERED TRADE MARK INSIGNIA AFTER THE 'J'
2. THE FLYING J STRIPES CONSIST OF THREE DISTINCT STRIPES AGAINST A WHITE BACKGROUND. THE STRIPES ALWAYS APPEAR WITH THE CORPORATE NAME OR COMPANY LOGO. EACH STRIPE IS A SOLID COLOR, AT A 30° ANGLE AND THE STRIPE WIDTHS CAN NOT BE ADJUSTED OUTSIDE THE PROPORTIONS. SEE DRAWING NO. R1-25
3. SIGN CONTRACTOR SHALL COORDINATE ALL SIGN ELECTRICAL REQUIREMENTS WITH ELECTRICAL ENGINEER AND PDG DESIGN & DEVELOPMENT. ALL FINAL ELECTRICAL CONNECTIONS WILL BE MADE BY THE GENERAL CONTRACTOR.

### KEY NOTES

- ① SINGLE FACE WITH INTERNAL ILLUMINATED H.O. FLUORESCENT LAMPS. BACKGROUND SUBSTRATE TO BE WHITE LEXAN.
- ② VINYL GRAPHICS SIGN FACE TO MATCH DESIGN AND PROPORTIONS OF ADOBE ILLUSTRATOR FILE: XL.A1
- ③ PAINT CABINET FILLER & RETAINERS SATIN BLACK AND FLUSH MOUNT THRU CABINET.

DATE: JUNE 2004

DRAWING NO.

R1-17

Travel Plaza Sign Program

PROJECT TITLE:

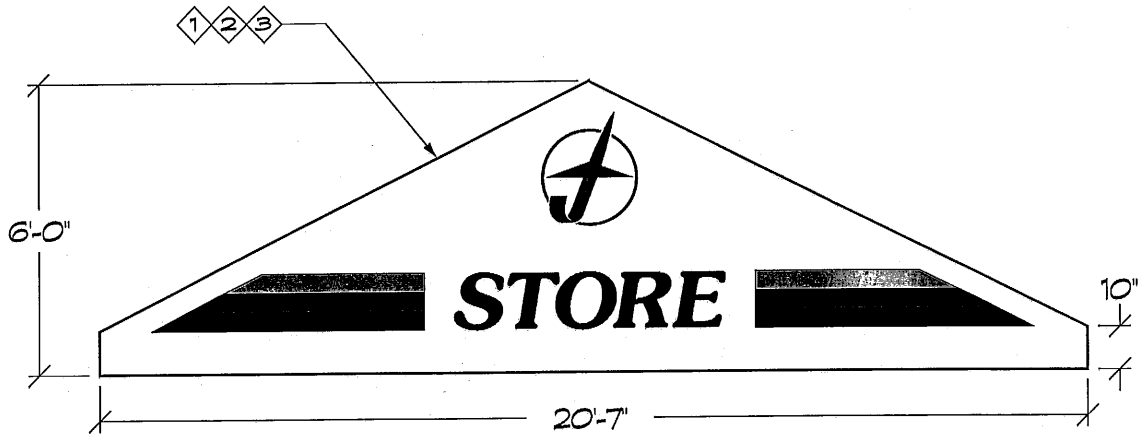
Dixon, California

CONFIDENTIAL AND COPYRIGHT NOTICE  
UNAUTHORIZED USE, DISCLOSURE, OR COPYING OF THIS  
DRAWING IS PROHIBITED. DRAWINGS DISTRIBUTED FOR  
BIDDING PURPOSES SHALL BE RETURNED WITHIN 14 DAYS  
OF CONTRACT AWARD. DEPOSIT CHECKS WILL BE CASHED  
FOR ALL OUTSTANDING DRAWINGS.

**PDG** inc.  
DESIGN & DEVELOPMENT  
1104 COUNTRY HILLS DR.  
OGDEN, UTAH 84403

# C-Store Under Gabel Sign XU

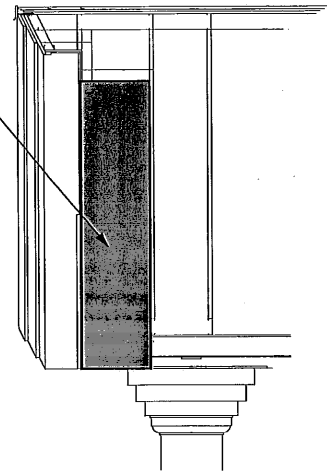
**FLYING J**



**FRONT FACE**  
SCALE: 1/4" = 1'-0"

71.5 SQ. FT.

SIGN CABINET FILLER AND RETAINER, REFER TO ARCH. DRAWING A4.2



**END VIEW**  
SCALE: 1/4" = 1'-0"

## COLOR & MATERIAL SCHEDULE

- 3M #7725-12 Opaque Black
- Red 3M VT4757
- Orange 3M VT5604
- Yellow 3M VT5785

### GENERAL NOTES

1. ALL DESIGNS USING THE 'FLYING J' LOGOTYPE REQUIRE THE REGISTERED TRADE MARK INSIGNIA AFTER THE 'J'
2. THE FLYING J STRIPES CONSIST OF THREE DISTINCT STRIPES AGAINST A WHITE BACKGROUND. THE STRIPES ALWAYS APPEAR WITH THE CORPORATE NAME OR COMPANY LOGO. EACH STRIPE IS A SOLID COLOR, AT A 30° ANGLE AND THE STRIPE WIDTHS CAN NOT BE ADJUSTED OUTSIDE THE PROPORTIONS. SEE DRAWING NO. R1-25
3. SIGN CONTRACTOR SHALL COORDINATE ALL SIGN ELECTRICAL REQUIREMENTS WITH ELECTRICAL ENGINEER AND PDG DESIGN & DEVELOPMENT. ALL FINAL ELECTRICAL CONNECTIONS WILL BE MADE BY THE GENERAL CONTRACTOR.

### KEY NOTES

1. BACKGROUND SUBSTRATE TO BE WHITE 3M PANAFLEX 945 WITH NO VISIBLE SEAMS. INTERNAL ILLUMINATED WITH HO FLUORESCENT LAMPS
2. SIGN FACE TO MATCH GRAPHICS AND PROPORTIONS OF ADOBE ILLUSTRATOR FILE: XJ.A1
3. CABINET/RETAINERS TO BE PAINTED TO MATCH BUILDING COLOR
4. FIELD VERIFY ALL DIMENSIONS PRIOR TO MANUFACTURE

DATE: JUNE 2004

DRAWING NO.

**R1-18**

**Travel Plaza Sign Program**

PROJECT TITLE:

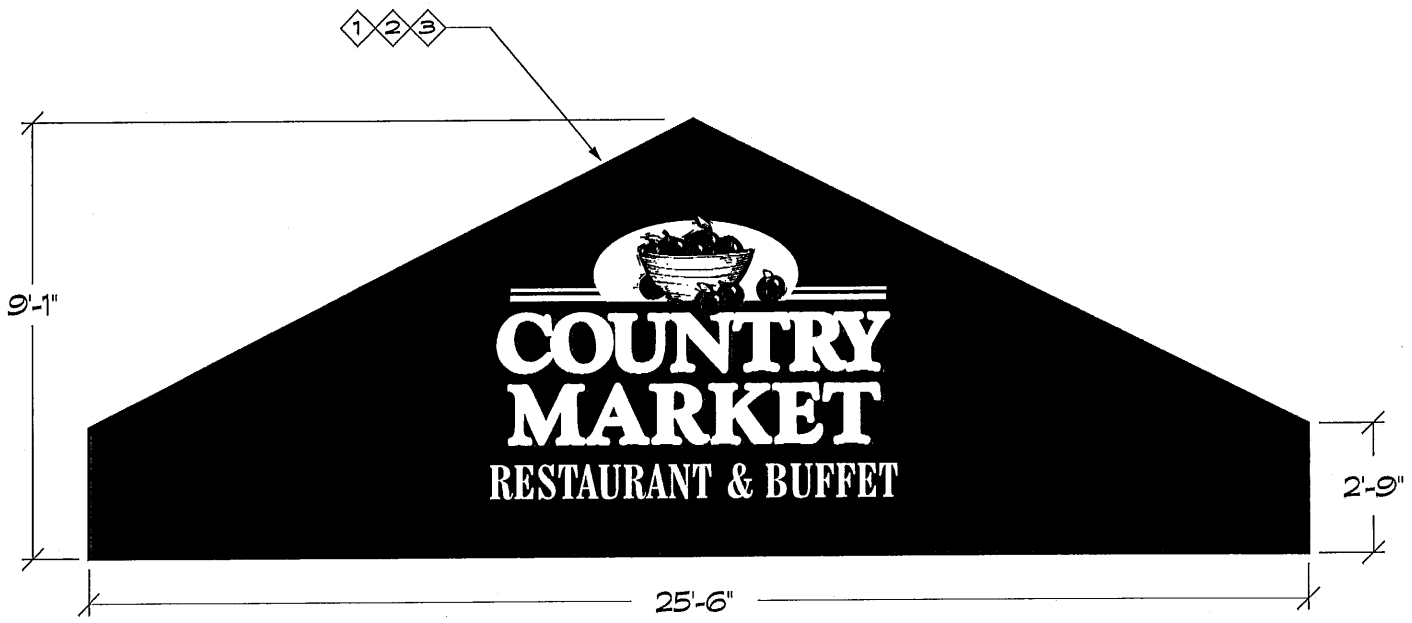
**Dixon, California**

CONFIDENTIAL AND COPYRIGHT NOTICE  
UNAUTHORIZED USE, DISCLOSURE, OR COPYING OF THIS DRAWING IS PROHIBITED. DRAWINGS DISTRIBUTED FOR BIDDING PURPOSES SHALL BE RETURNED WITHIN 14 DAYS OF CONTRACT AWARD. DEPOSIT CHECKS WILL BE CASHED FOR ALL OUTSTANDING DRAWINGS.

**PDG** inc.  
DESIGN & DEVELOPMENT  
1104 COUNTRY HILLS DR.  
OGDEN, UTAH 84403

# Country Market Under Gabel Sign CM

**FLYING J.**



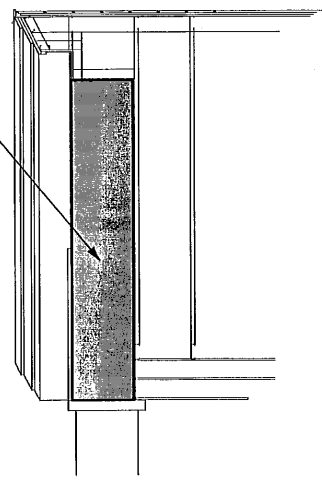
**FRONT FACE**  
SCALE: 1/4" = 1'-0"

150 SQ. FT.

SIGN CABINET FILLER AND RETAINER. REFER TO ARCH. DRAWING A4.2

### COLOR & MATERIAL SCHEDULE

- 3M Opaque Black 7725-12
- 3M Red VT2613
- 3M Light Beige 3630-149
- 3M Yellow VTO830
- 3M Green 3630-136
- 3M Brown 3630-109



**END VIEW**  
SCALE: 3/16" = 1'-0"

### GENERAL NOTES

1. ALL DESIGNS USING THE "FLYING J" LOGOTYPE REQUIRE THE REGISTERED TRADE MARK INSIGNIA AFTER THE "J"
2. THE FLYING J STRIPES CONSIST OF THREE DISTINCT STRIPES AGAINST A WHITE BACKGROUND. THE STRIPES ALWAYS APPEAR WITH THE CORPORATE NAME OR COMPANY LOGO. EACH STRIPE IS A SOLID COLOR, AT A 30° ANGLE AND THE STRIPE WIDTHS CAN NOT BE ADJUSTED OUTSIDE THE PROPORTIONS. SEE DRAWING NO. R1-25
3. SIGN CONTRACTOR SHALL COORDINATE ALL SIGN ELECTRICAL REQUIREMENTS WITH ELECTRICAL ENGINEER AND PDG DESIGN & DEVELOPMENT. ALL FINAL ELECTRICAL CONNECTIONS WILL BE MADE BY THE GENERAL CONTRACTOR.

### KEY NOTES

- 1 BACKGROUND SUBSTRATE TO BE WHITE 3M PANAFLEX 945 WITH NO VISIBLE SEAMS. INTERNAL ILLUMINATED WITH HO FLUORESCENT LAMPS
- 2 SIGN FACE TO MATCH GRAPHICS AND PROPORTIONS OF ADOBE ILLUSTRATOR FILE: CM.AI
- 3 CABINET/RETAINERS TO BE PAINTED TO MATCH BUILDING COLOR
- 4 FIELD VERIFY ALL DIMENSIONS PRIOR TO MANUFACTURE

DATE: JUNE 2004  
DRAWING NO. R1-19

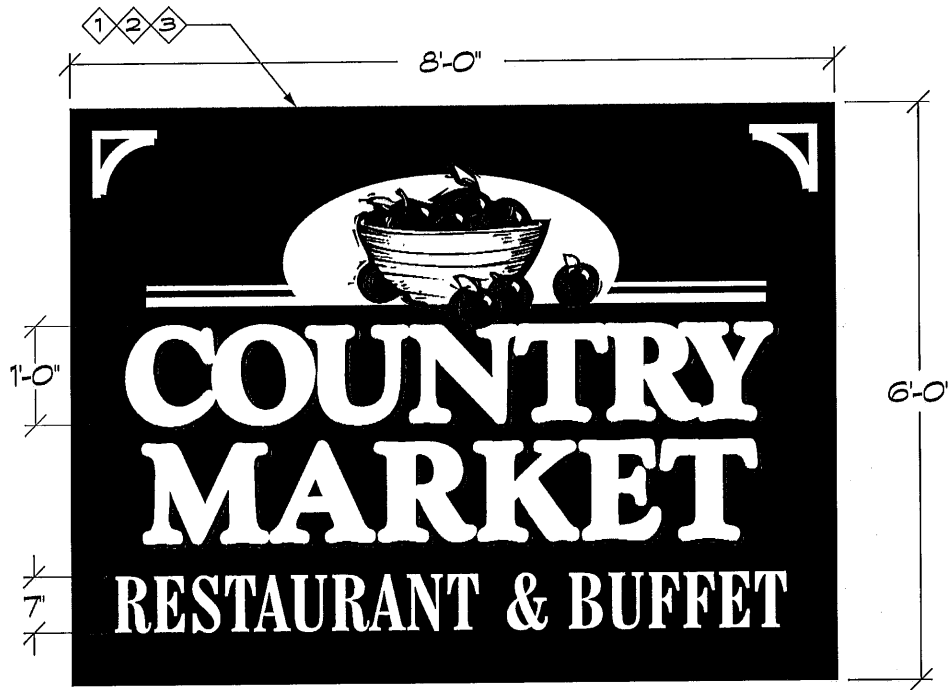
Travel Plaza Sign Program  
PROJECT TITLE: Dixon, California

CONFIDENTIAL AND COPYRIGHT NOTICE  
UNAUTHORIZED USE, DISCLOSURE, OR COPYING OF THIS DRAWING IS PROHIBITED. DRAWINGS DISTRIBUTED FOR BIDDING PURPOSES SHALL BE RETURNED WITHIN 14 DAYS OF CONTRACT AWARD. DEPOSIT CHECKS WILL BE CASHED FOR ALL OUTSTANDING DRAWINGS.

**PDG** inc.  
DESIGN & DEVELOPMENT  
1104 COUNTRY HILLS DR.  
OGDEN, UTAH 84403

# Country Market Exterior Sign CM WALL

**FLYING J.**



SINGLE FACE

2 REQUIRED

SCALE: 1/2" = 1'-0"

48 SQ. FT.

## COLOR & MATERIAL SCHEDULE

- 3M Opaque Black 7725-12
- 3M Red 3630-43
- 3M Light Beige 3630-149
- 3M Yellow VTO830
- 3M Green 3630-136
- 3M Brown 3630-109

### GENERAL NOTES

1. ALL DESIGNS USING THE 'FLYING J' LOGOTYPE REQUIRE THE REGISTERED TRADE MARK INSIGNIA AFTER THE 'J'
2. THE FLYING J STRIPES CONSIST OF THREE DISTINCT STRIPES AGAINST A WHITE BACKGROUND. THE STRIPES ALWAYS APPEAR WITH THE CORPORATE NAME OR COMPANY LOGO. EACH STRIPE IS A SOLID COLOR, AT A 30° ANGLE AND THE STRIPE WIDTHS CAN NOT BE ADJUSTED OUTSIDE THE PROPORTIONS. SEE DRAWING NO. R1-25
3. SIGN CONTRACTOR SHALL COORDINATE ALL SIGN ELECTRICAL REQUIREMENTS WITH ELECTRICAL ENGINEER AND PDG DESIGN & DEVELOPMENT. ALL FINAL ELECTRICAL CONNECTIONS WILL BE MADE BY THE GENERAL CONTRACTOR.

### KEY NOTES

1. BACKGROUND SUBSTRATE TO BE CLEAR LEXAN AND VINYL OVERLAYED GRAPHICS WITH INTERNAL HO FLUORESCENT LAMPS
2. SIGN FACE TO MATCH GRAPHICS AND PROPORTIONS OF ADOBE ILLUSTRATOR FILE: CMWALL.AI
3. CABINET/RETAINERS TO BE PAINTED TO MATCH PMS 483C RUST BROWN

DATE: JUNE 2004

DRAWING NO.

R1-20

Travel Plaza Sign Program

PROJECT TITLE:

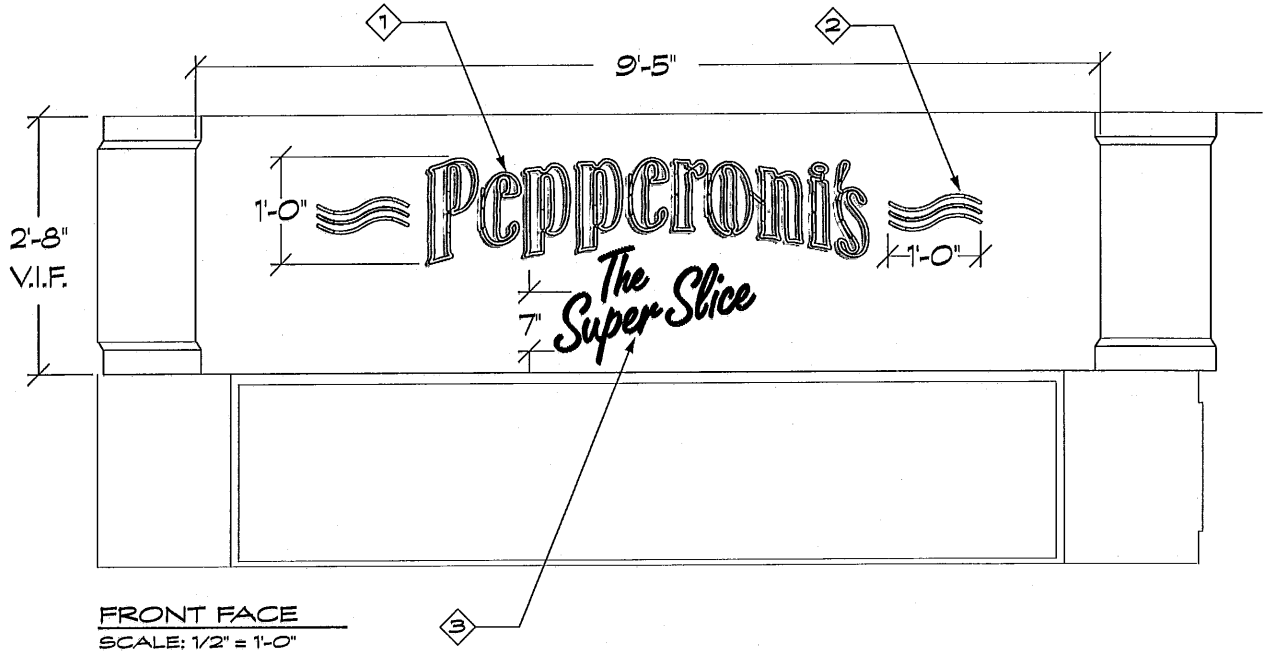
Dixon, California

CONFIDENTIAL AND COPYRIGHT NOTICE  
UNAUTHORIZED USE, DISCLOSURE, OR COPYING OF THIS DRAWING IS PROHIBITED. DRAWINGS DISTRIBUTED FOR BIDDING PURPOSES SHALL BE RETURNED WITHIN 14 DAYS OF CONTRACT AWARD. DEPOSIT CHECKS WILL BE CASHED FOR ALL OUTSTANDING DRAWINGS.

**PDG** inc.  
DESIGN & DEVELOPMENT  
1104 COUNTRY HILLS DR.  
OGDEN, UTAH 84403

# Pepperoni's Interior Sign PP/INT

**FLYING J.**



## GENERAL NOTES

1. ALL DESIGNS USING THE 'FLYING J' LOGOTYPE REQUIRE THE REGISTERED TRADE MARK INSIGNIA AFTER THE 'J'
2. THE FLYING J STRIPES CONSIST OF THREE DISTINCT STRIPES AGAINST A WHITE BACKGROUND. THE STRIPES ALWAYS APPEAR WITH THE CORPORATE NAME OR COMPANY LOGO. EACH STRIPE IS A SOLID COLOR, AT A 30° ANGLE AND THE STRIPE WIDTHS CAN NOT BE ADJUSTED OUTSIDE THE PROPORTIONS. SEE DRAWING NO. R1-25
3. SIGN CONTRACTOR SHALL COORDINATE ALL SIGN ELECTRICAL REQUIREMENTS WITH ELECTRICAL ENGINEER AND PDG DESIGN & DEVELOPMENT. ALL FINAL ELECTRICAL CONNECTIONS WILL BE MADE BY THE GENERAL CONTRACTOR.

## KEY NOTES

1. 1'-0" EXPOSED OUTLINE NEON LETTERS READING "PEPPERONI'S" TO BE IN 12MM ROSE NEON.
2. THREE WAVES OF DECORATIVE LINES TO BE 12MM NEON (2 PLCS). TOP COLOR NEON TO BE EMERALD GREEN, MIDDLE COLOR TO BE WHITE NEON, AND BOTTOM COLOR TO BE CLASSIC RUBY RED NEON.
3. 7" LETTERS READING "THE SUPER SLICE" TO BE CUT OUT OF 1/2" SENTRA W/3M #7725-66 OPAQUE GREEN VINYL ON FACE

DATE: JUNE 2004

DRAWING NO.

R1-21

Travel Plaza Sign Program

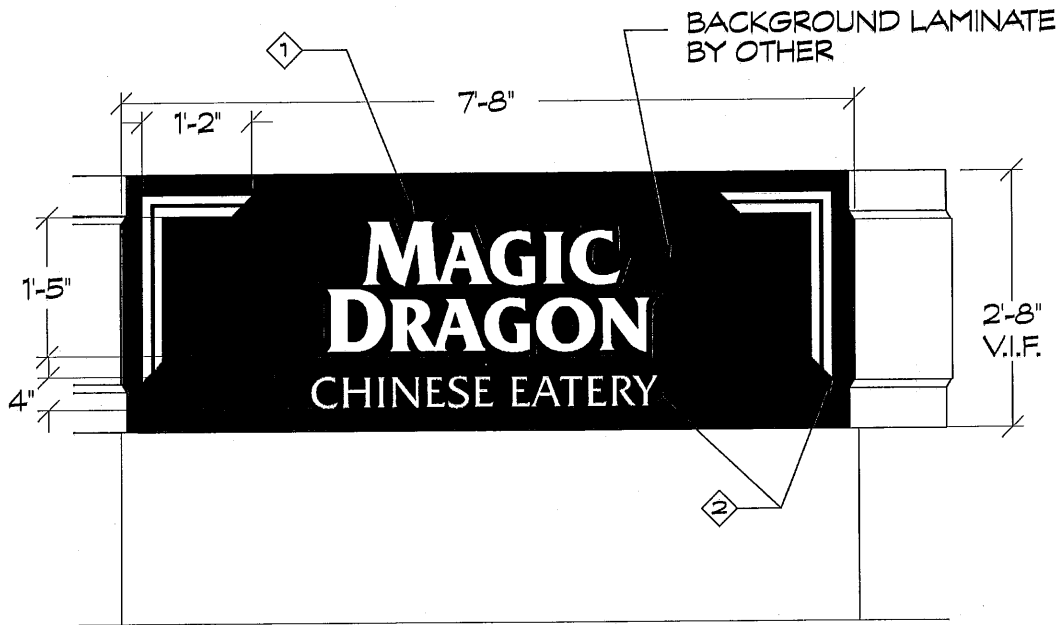
PROJECT TITLE:

Dixon, California

CONFIDENTIAL AND COPYRIGHT NOTICE  
UNAUTHORIZED USE, DISCLOSURE, OR COPYING OF THIS DRAWING IS PROHIBITED. DRAWINGS DISTRIBUTED FOR BIDDING PURPOSES SHALL BE RETURNED WITHIN 14 DAYS OF CONTRACT AWARD. DEPOSIT CHECKS WILL BE CASHED FOR ALL OUTSTANDING DRAWINGS.

**PDG** inc.  
DESIGN & DEVELOPMENT  
1104 COUNTRY HILLS DR.  
OGDEN, UTAH 84403





**FRONT FACE**  
SCALE: 1/2" = 1'-0"

### GENERAL NOTES

1. ALL DESIGNS USING THE 'FLYING J' LOGOTYPE REQUIRE THE REGISTERED TRADE MARK INSIGNIA AFTER THE 'J'
2. THE FLYING J STRIPES CONSIST OF THREE DISTINCT STRIPES AGAINST A WHITE BACKGROUND. THE STRIPES ALWAYS APPEAR WITH THE CORPORATE NAME OR COMPANY LOGO. EACH STRIPE IS A SOLID COLOR, AT A 30° ANGLE AND THE STRIPE WIDTHS CAN NOT BE ADJUSTED OUTSIDE THE PROPORTIONS. SEE DRAWING NO. R1-25
3. SIGN CONTRACTOR SHALL COORDINATE ALL SIGN ELECTRICAL REQUIREMENTS WITH ELECTRICAL ENGINEER AND PDG DESIGN & DEVELOPMENT. ALL FINAL ELECTRICAL CONNECTIONS WILL BE MADE BY THE GENERAL CONTRACTOR.

### KEY NOTES

- 1 SINGLE FACE CHANNEL LETTER CONSTRUCTED CABINET W/#7328 FLAT WHITE LEXAN FACE WITH AN OPAQUE 3M 7725-12 BLACK VINYL OVERLAY AND REVERSHOW-THRU LEXAN COPY. INTERNAL NEON ILLUMINATION
- 2 BLACK 1/2" SINTRA F.C.O. COPY AND DECORATIVE ELEMENTS WITH POLISHED BRASS WRISCO ALUM. FINISH OVERLAY.

DATE: JUNE 2004

DRAWING NO.

**R1-22**

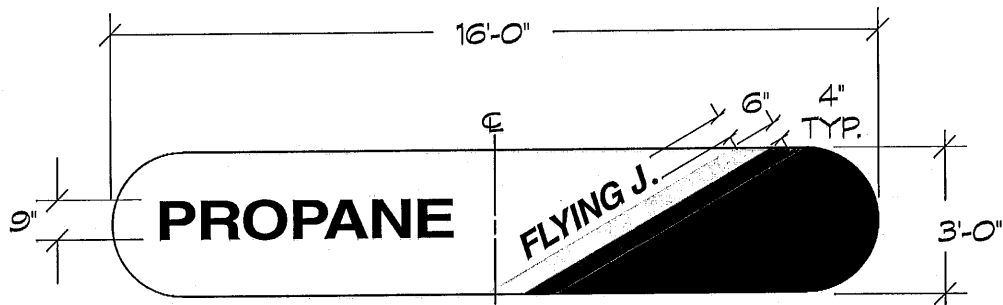
**Travel Plaza Sign Program**

PROJECT TITLE:

**Dixon, California**

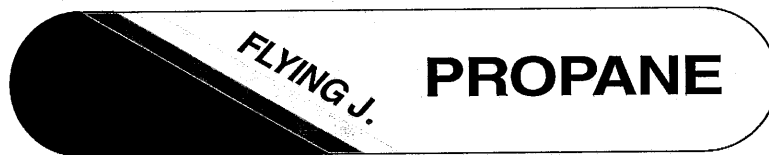
CONFIDENTIAL AND COPYRIGHT NOTICE  
UNAUTHORIZED USE, DISCLOSURE, OR COPYING OF THIS DRAWING IS PROHIBITED. DRAWINGS DISTRIBUTED FOR BIDDING PURPOSES SHALL BE RETURNED WITHIN 14 DAYS OF CONTRACT AWARD. DEPOSIT CHECKS WILL BE CASHED FOR ALL OUTSTANDING DRAWINGS.

**PDG** inc.  
DESIGN & DEVELOPMENT  
1104 COUNTRY HILLS DR.  
OGDEN, UTAH 84403



1,000 GAL. CUSTOMER TANK

SCALE: 1/8" = 1'-0"



BACK FACE

### COLOR & PAINT SCHEDULE

- SHERWIN WILLIAMS PACKAGED BLACK
- SHERWIN WILLIAMS FLYING J RED 1 TC-1139
- SHERWIN WILLIAMS FLYING J ORANGE TC-1032
- SHERWIN WILLIAMS FLYING J YELLOW TC-1047

### GENERAL NOTES

1. ALL DESIGNS USING THE 'FLYING J' LOGOTYPE REQUIRE THE REGISTERED TRADE MARK INSIGNIA AFTER THE 'J'
2. THE FLYING J STRIPES CONSIST OF THREE DISTINCT STRIPES AGAINST A WHITE BACKGROUND, THE STRIPES ALWAYS APPEAR WITH THE CORPORATE NAME OR COMPANY LOGO. EACH STRIPE IS A SOLID COLOR, AT A 30° ANGLE AND THE STRIPE WIDTHS CAN NOT BE ADJUSTED OUTSIDE THE PROPORTIONS, SEE DRAWING NO. R1-25
3. SIGN CONTRACTOR SHALL COORDINATE ALL SIGN ELECTRICAL REQUIREMENTS WITH ELECTRICAL ENGINEER AND PDG DESIGN & DEVELOPMENT. ALL FINAL ELECTRICAL CONNECTIONS WILL BE MADE BY THE GENERAL CONTRACTOR.

### KEY NOTES

1. GRAPHICS TO BE PAINTED WITH SHERWIN WILLIAMS PRODUCT STEEL MASTER 9500

DATE: JUNE 2004

DRAWING NO.

R1-23

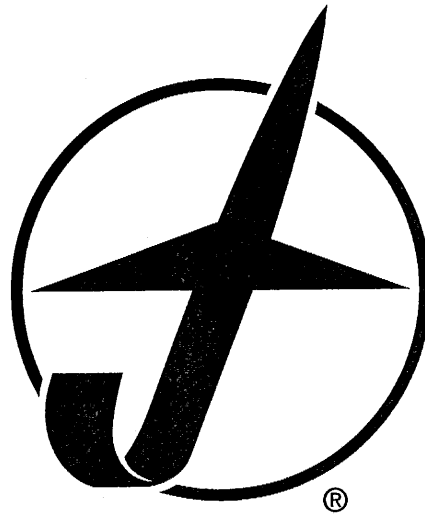
Travel Plaza Sign Program

PROJECT TITLE:

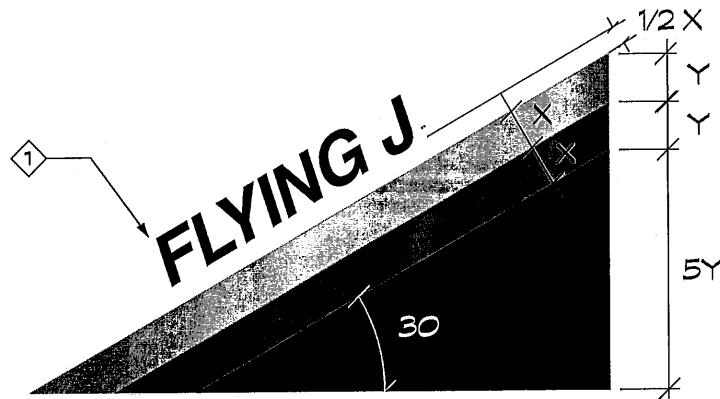
Dixon, California

CONFIDENTIAL AND COPYRIGHT NOTICE  
UNAUTHORIZED USE, DISCLOSURE, OR COPYING OF THIS DRAWING IS PROHIBITED. DRAWINGS DISTRIBUTED FOR BIDDING PURPOSES SHALL BE RETURNED WITHIN 14 DAYS OF CONTRACT AWARD. DEPOSIT CHECKS WILL BE CASHED FOR ALL OUTSTANDING DRAWINGS.

**PDG** Inc.  
DESIGN & DEVELOPMENT  
1104 COUNTRY HILLS DR.  
OGDEN, UTAH 84403



FLYING J LOGO



FLYING J STRIPES

**GENERAL NOTES**

1. ALL DESIGNS USING THE 'FLYING J' LOGOTYPE REQUIRE THE REGISTERED TRADE MARK INSIGNIA AFTER THE 'J'
2. THE FLYING J STRIPES CONSIST OF THREE DISTINCT STRIPES AGAINST A WHITE BACKGROUND. THE STRIPES ALWAYS APPEAR WITH THE CORPORATE NAME OR COMPANY LOGO. EACH STRIPE IS A SOLID COLOR, AT A 30° ANGLE AND THE STRIPE WIDTHS CAN NOT BE ADJUSTED OUTSIDE THE PROPORTIONS. SEE DRAWING NO. R1-25
3. SIGN CONTRACTOR SHALL COORDINATE ALL SIGN ELECTRICAL REQUIREMENTS WITH ELECTRICAL ENGINEER AND PDG DESIGN & DEVELOPMENT. ALL FINAL ELECTRICAL CONNECTIONS WILL BE MADE BY THE GENERAL CONTRACTOR.

**KEY NOTES**

- 1 THE COPORATE NAME IS LETTERED IN HELVETICA BOLD ITALIC

DATE: JUNE 2004

DRAWING NO.

**R1-24**

**Travel Plaza Sign Program**

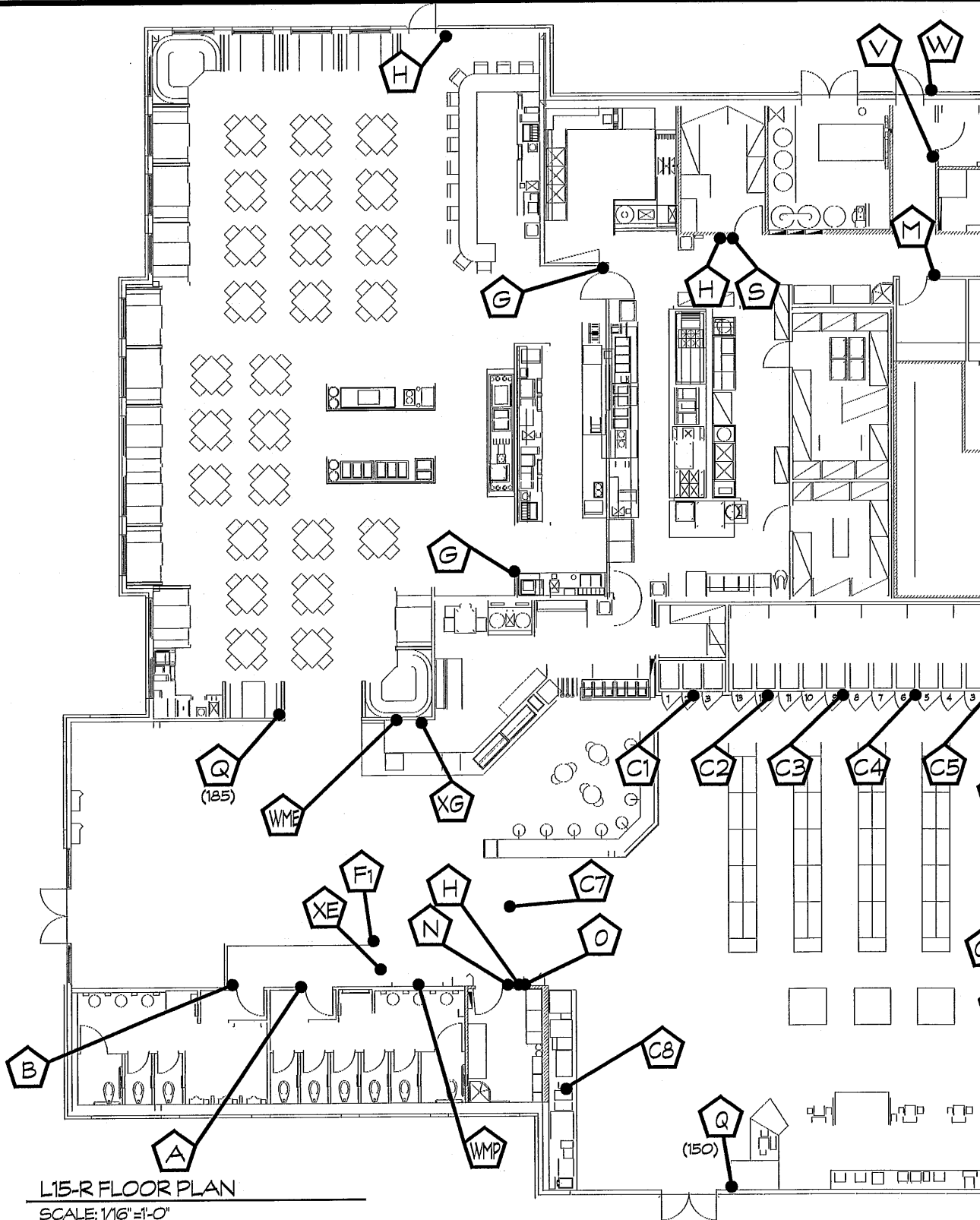
PROJECT TITLE:

**Dixon, California**

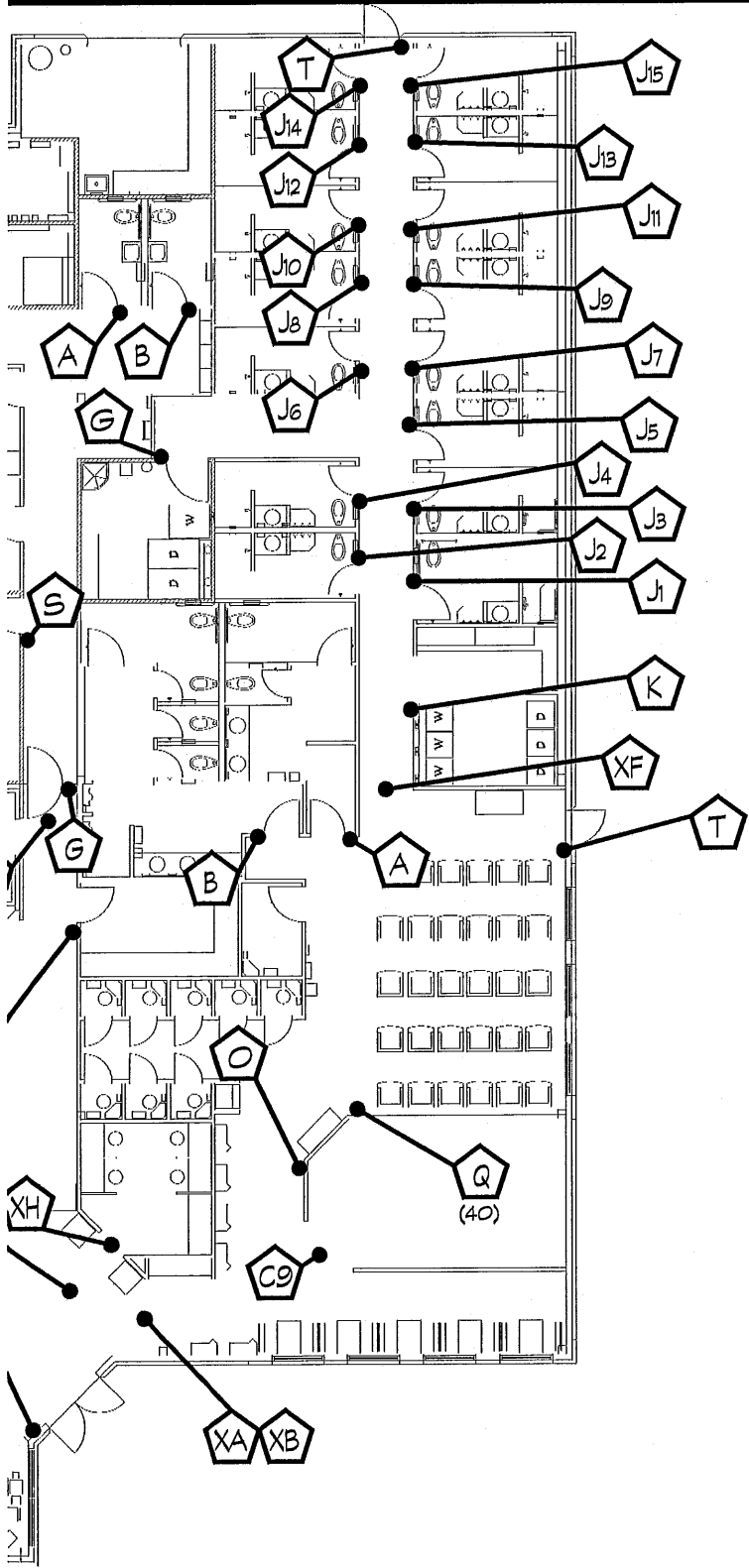
CONFIDENTIAL AND COPYRIGHT NOTICE  
UNAUTHORIZED USE, DISCLOSURE, OR COPYING OF THIS DRAWING IS PROHIBITED. DRAWINGS DISTRIBUTED FOR BIDDING PURPOSES SHALL BE RETURNED WITHIN 14 DAYS OF CONTRACT AWARD. DEPOSIT CHECKS WILL BE CASHED FOR ALL OUTSTANDING DRAWINGS.



# Identification & Information INTERIOR SIGNS



 <b>WOMEN</b> A 3 ea 8X8	 <b>MEN</b> B 3 ea 8X8	 <b>RESTROOMS</b> F1 12X12	 <b>EMPLOYEES ONLY</b> G 4 ea 8X8	 <b>FIRE EXTINGUISHER</b> H 4 ea 8X8	 <b>SHOWER ROOM 1</b> J 8X8	 <b>SHOWER ROOM 15</b> J 8X8 1 ea 1 thru 15	 <b>LAUNDRY</b> K 8X8	 <b>MANAGER</b> L 8X8	 <b>RESTAURANT MANAGER</b> M 8X8	 <b>EMERGENCY EXIT ONLY</b> DO NOT OPEN ALARM WILL SOUND T 2 ea 12X12	 <b>PUBLIC TELEPHO</b> D 8X8
 <b>UTILITY ROOM</b> N 4X6	 <b>COURTESY PHONE</b> O 2 ea 4X6	 <b>STORAGE ROOM</b> S 2 ea 4X6	 <b>HIGH VOLTAGE ROOM</b> V 4X6	 <b>ADMINISTRATIVE OFFICES</b> XC FF 8X30	 <b>REMEMBER TO SMILE</b> XC 8X30 B/F TO HANG FROM CHAINS	 <b>DRIVER'S FACILITIES</b> PROFESSIONAL DRIVERS ONLY PHONE LOUNGE SHOWERS GAME ROOM XA 8X30 FF TO HANG FROM CHAINS					



**GENERAL NOTES**

1. ALL DESIGNS USING THE "FLYING J" LOGO TYPE REQUIRE THE REGISTERED TRADE MARK INSIGNIA AFTER THE "J"
1. ROOM SIGNS TO BE PLACED 60" ABOVE THE FLOOR ON HANDLE SIDE OF THE DOOR UNLESS OTHERWISE NOTED.

**KEY NOTES**

**PDC**  
**DESIGN & DEVELOPMENT**  
 1104 COUNTRY HILLS DR.  
 OGDEN, UTAH 84403

CONFIDENTIAL AND COPYRIGHT NOTICE  
 UNAUTHORIZED USE, DISCLOSURE OR COPYING OF THIS DRAWING IS PROHIBITED. DRAWINGS DISTRIBUTED FOR BIDDING PURPOSES SHALL BE RETURNED WITHIN 14 DAYS OF CONTRACT AWARD. DEPOSIT CHECKS WILL BE CASHED FOR ALL OUTSTANDING DRAWINGS.

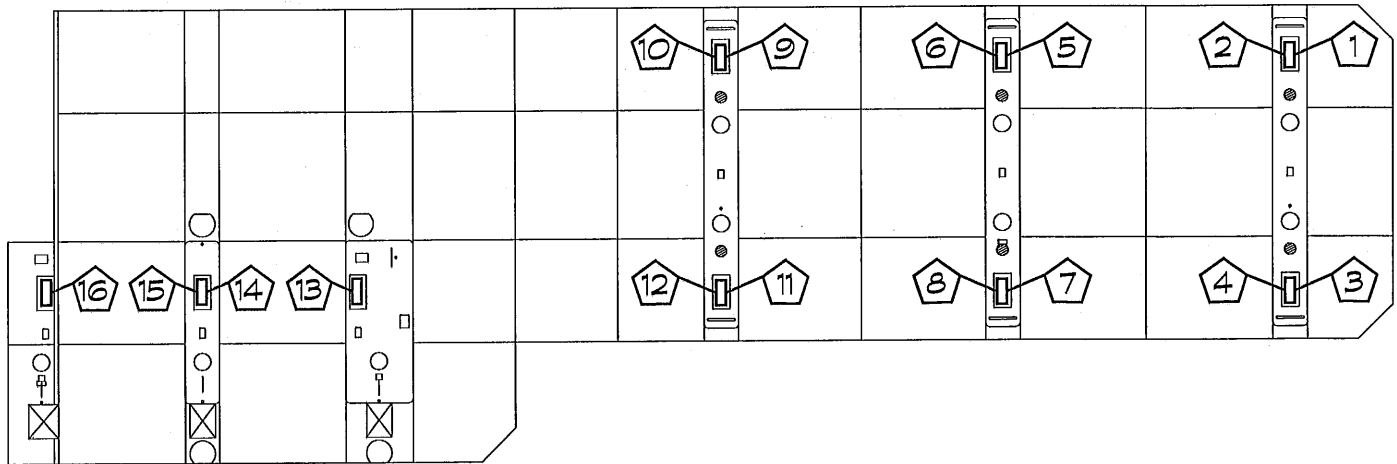
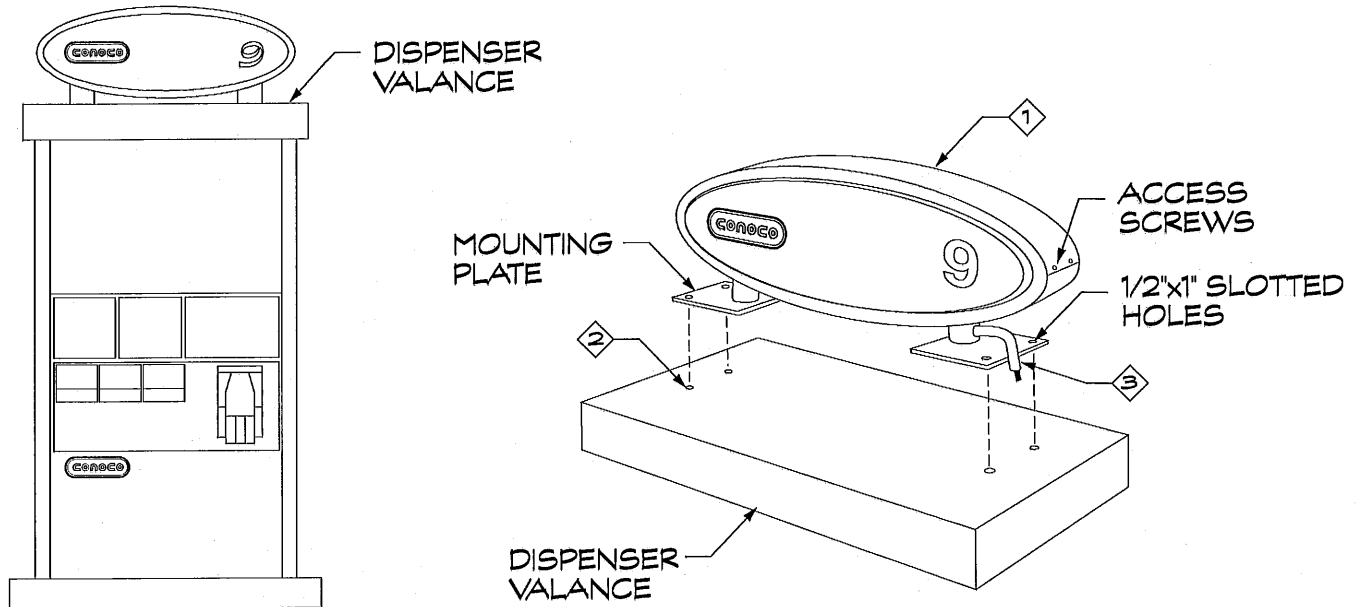
Travel Plaza Sign Program  
 PROJECT TITLE: Dixon, California

<p><b>RECEIVING</b>                  USE FRONT FOR ACCESS</p> <p>W 12X12</p>	<p>CORDLESS PHONES AVAILABLE AT CASH REGISTER STAND</p> <p>XG 12X12</p>	<p><b>MAXIMUM OCCUPANCY</b>                  000</p> <p>Q 3 ea 6X8</p>	<p><b>ICE DAIRY JUICE SODA DELI GAMES</b>                  C1 11X11-10" C2 11X3-5" C3 11X3-2" C4 11X3-3" C5 11X2-9" C9 10" 3'-7"</p> <p><b>DRIVERS LOUNGE</b>                  C6 11-2" X3'-8"</p>	<p><b>RESTAURANT REFRESHMENTS</b>                  C7 10" X6'-3" C8 10" X7'-10"</p>	<p>WME 4X4'</p>
<p>THANK YOU FOR YOUR PATRONAGE</p> <p>XB0 B/F</p>	<p>LAUNDRY * SHOWERS</p> <p>XF 8X30 B/F TO HANG FROM CHAINS</p>	<p>RESTROOMS</p> <p>XE 8X30 B/F TO HANG FROM CHAINS</p>	<p>COMPUTER ROOM</p> <p>XH 8X30 B/F</p>	<p>WMP 5'-6" X4'</p>	

DATE: JUNE 2004  
 DRAWING NO. **R1-25**

# Conoco Elliptical Pump Identifiers S

**FLYING J.**



## GENERAL NOTES

1. ALL DESIGNS USING THE 'FLYING J' LOGOTYPE REQUIRE THE REGISTERED TRADE MARK INSIGNIA AFTER THE 'J'
2. THE FLYING J STRIPES CONSIST OF THREE DISTINCT STRIPES AGAINST A WHITE BACKGROUND. THE STRIPES ALWAYS APPEAR WITH THE CORPORATE NAME OR COMPANY LOGO. EACH STRIPE IS A SOLID COLOR, AT A 30° ANGLE AND THE STRIPE WIDTHS CAN NOT BE ADJUSTED OUTSIDE THE PROPORTIONS. SEE DRAWING NO. R1-25
3. SIGN CONTRACTOR SHALL COORDINATE ALL SIGN ELECTRICAL REQUIREMENTS WITH ELECTRICAL ENGINEER AND PDG DESIGN & DEVELOPMENT. ALL FINAL ELECTRICAL CONNECTIONS WILL BE MADE BY THE GENERAL CONTRACTOR.

## KEY NOTES

- ① OWNER PROVIDE, CONTRACTOR INSTALLED PUMP IDENTIFIERS ( 9 PLCS).
- ② BOLT SIGN TO THE DISPENSER VALANCE, USING THE CORRECT SIZE BOLTS AND WASHERS TO MATCH THE EXISTING HOLES.
- ③ ENSURE ELECTRICAL STUB IS POSITIONED TOWARD DISPENSERS ELECTRICAL FEED.

DATE: JUNE 2004

DRAWING NO.

**R1-26**

Travel Plaza Sign Program

PROJECT TITLE:

Dixon, California

CONFIDENTIAL AND COPYRIGHT NOTICE  
UNAUTHORIZED USE, DISCLOSURE, OR COPYING OF THIS  
DRAWING IS PROHIBITED. DRAWINGS DISTRIBUTED FOR  
BIDDING PURPOSES SHALL BE RETURNED WITHIN 14 DAYS  
OF CONTRACT AWARD. DEPOSIT CHECKS WILL BE CASHED  
FOR ALL OUTSTANDING DRAWINGS.

**PDG** Inc.  
DESIGN & DEVELOPMENT  
1104 COUNTRY HILLS DR.  
OGDEN, UTAH 84403

**PROJECT INFORMATION (Sign Design Application)**

	High Rise Main Id	High Rise Electronic Message Center	High Rise CONOCO Sign	High Rise Country Mkt Sign	Fuel Price Sign CC	FF Restaurant Sign	AE scale sign	Truck Sign K	Cars and R.V.'s Sign L	Thank You Sign U	Exit Sign P	Scales Sign Z	Gas Canopy Signs CCN	Diesel Canopy Sign FJ	Fast Food Sign XL	Country Market Gabel Sign CM	XJ Store Gabel Sign	Country Market Gabel Sign CM Wall	Propane Tank Graphics PT1
<b>No. of proposed signs</b>	1	1	1	1	1	1	1	1	1	1	1	1	2	1	1	1	1	2	1
<b>Size of each lettering</b>	3'-7"	60"	2'-6"	2'-6", 1'-4"	1'-0"	2'-6", 1'-4", 1'-2"	7", 18", 3-1/2"	1'	1'	4-1/2"	8"	4", 1"	1'-0"	2'-2"	6", 3", 2"	1'-3", 8"	1'-2"	1', 7"	9", 6"
<b>Size of each sign in square feet</b>	504 sq. ft.	216.6 sq.ft.	192 sq. ft.	300 sq. ft.	97 sq. ft.	100 sq. ft.	100 sq.ft.	25 sq. ft.	25 sq. ft.	9 sq. ft.	9 sq. ft.	25 sq. ft.	20 sq. ft.	30 sq. ft.	18 sq. ft.	150 sq. ft.	71.5 sq. ft.	48 sq. ft.	47 sq. ft.
<b>Non-illuminated or Lighting system</b>	D/F internally illuminated	D/F LED illuminated	Internally illuminated	Internally illuminated	D/F internally illuminated	Internally illuminated	Internally illuminated	Internally illuminated	Internally illuminated	non-illuminated	non-illuminated	non-illuminated	Internally illuminated	Internally illuminated	Internally illuminated	Internally illuminated	Internally illuminated	Internally illuminated	non-illuminated
<b>Sign height from Top to Ground</b>	85'	64'	56'	44'-9"	26'-6"	22'	25'	8'	8'	6'	6'	8'	Re: Drawing R1-15	19'	8'	22'	18'	20'-6"	Re: Manufactureres specifications
<b>Sign height from Bottom to Ground</b>	40'-10"	59'	47'-9"	29'-9"	10'	12'	20'	3'	3'	3'	3'	3'	Re: Drawing R1-15	17'	5'	11'-8"	11'-8"	14'-6"	Re: Manufactureres specifications
<b>Exact location of proposed sign on the building</b>	n/a	n/a	n/a	n/a	n/a	n/a	n/a	n/a	n/a	n/a	n/a	n/a	Re: Drawing R1-15	Re: Drawing R1-16	Re: Arch. Drawing A3.1	Re: Arch. Drawing A3.1	Re: Arch. Drawing A3.1	Re: Arch. Drawing A3.1	n/a
<b>Sign will be mounted</b>	Free-standing	Free-standing	Free-standing	Free-standing	Free-standing	Free-standing	Free-standing	Free-standing	Free-standing	Free-standing	Free-standing	Free-standing	Flat against the Canopy Facia	Flat against the Canopy Facia	Flat against the Building	Flat against the Building	Flat against the Building	Flat against the Building	Free-standing
<b>Exact wording on sign</b>	FLYING J, TRAVEL PLAZA	Message Varies	CONOCO	COUNTRY MARKET, RESTAURANT & BUFFET	Re: Drawing R1-5	Re: Drawing R1-7	Enter', 'Exit', 'Guaranteed', J-Scales	TRUCKS	CARS & R.V.'S	THANK YOU FOR YOUR PATRONAGE	EXIT ONLY	Re: Drawing R1-13	CONOCO	FLYING J	MAGIC DRAGON, CHINESE EATERY, Pepperoni's, The Super Slice	Country Market', Restaurant & Buffet'	Store	Country Market', Restaurant & Buffet'	PROPANE, FLYING J
<b>Color Scheme</b>	Re: Drawing R1-3	Re: Drawing R1-2	Re: Drawing R1-2	Re: Drawing R1-4	Re: Drawing R1-5	Re: Drawing R1-7	Re: Drawing R1-8	Re: Drawing R1-9	Re: Drawing R1-10	Re: Drawing R1-11	Re: Drawing R1-11	Re: Drawing R1-13	Re: Drawing R1-15	Re: Drawing R1-16	Re: Drawing R1-17	Re: Drawing R1-19	Re: Drawing R1-18	Re: Drawing R1-20	Re: Drawing R1-23